



Flexibox 480

- Total heat management: designed for energy efficiency with the maximum use of controlled ventilation
- Flexible mounting and air intake
- Versions for indoor, through-wall and outdoor mounting
- Door mounting option; in combination with air intake grille
- Control of external heater, two cooling units, and motorized dampers
- LCD display with status and alarm function in clear text
- Timer function for service personnel
- Filter monitor
- Self-test function

GENERAL

UNITS

Model number		FB-480-48
Mounting method		Outdoor
Unit dimensions [height×width×depth]	Inch [mm]	19.7x16x17.3 [500x405x440]
Weight	lbs [kg]	39.7 [18]

FAN PERFORMANCE (@ 0 PA)

Input voltage	Volts	48 VDC
Current	Amps	2.8
Power consumption	Watts	160
Airflow	CFM [m ³ /h]	850 [1440]
Cooling capacity (Δt=10°C)	BTU/h [kW]	16500 [4.8]
Operational temperature range	°F [°C]	-40 to 131 [-40 to 55]
Noise, 1.5m distance	dB(A)	—

FILTER DATA

Dimensions	Inch [mm]	15.7x15.7x5.1 [400x400x130]
Rating	Class	MERV 9 [F5]

APPROVALS

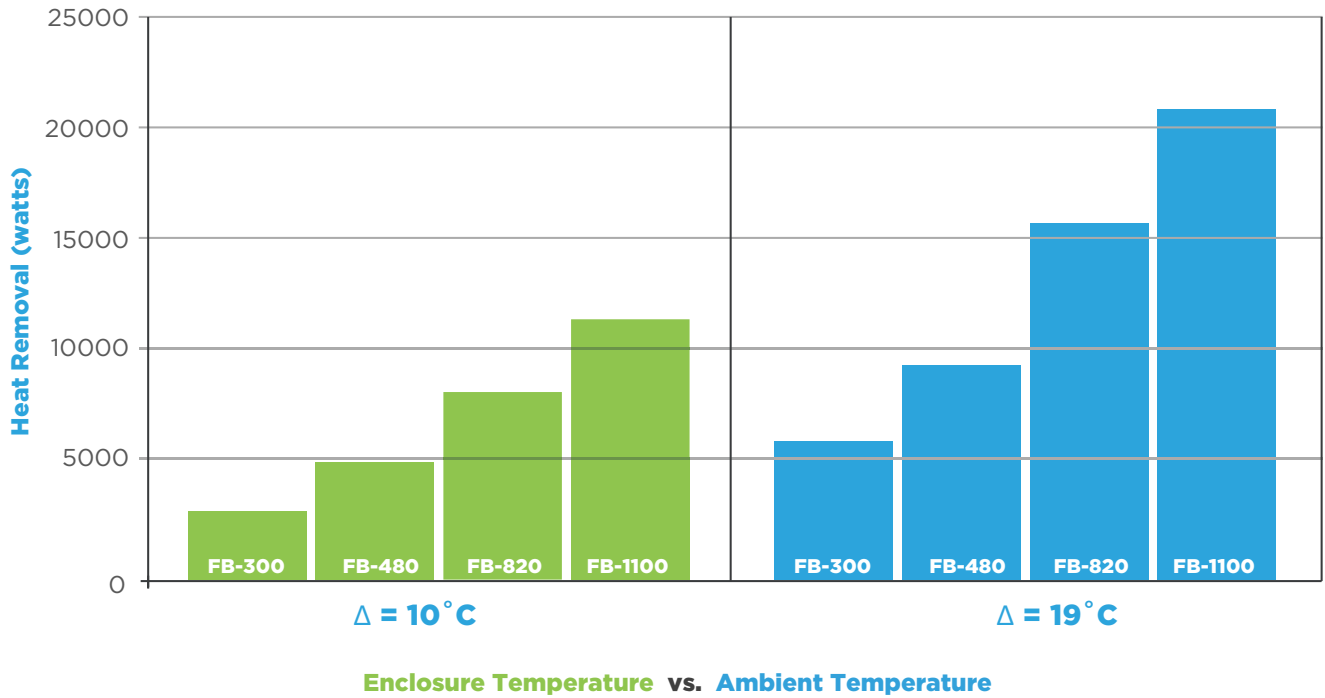
RoHS, UL and cUL Compliant		Pending
----------------------------	--	---------

CONSTRUCTION

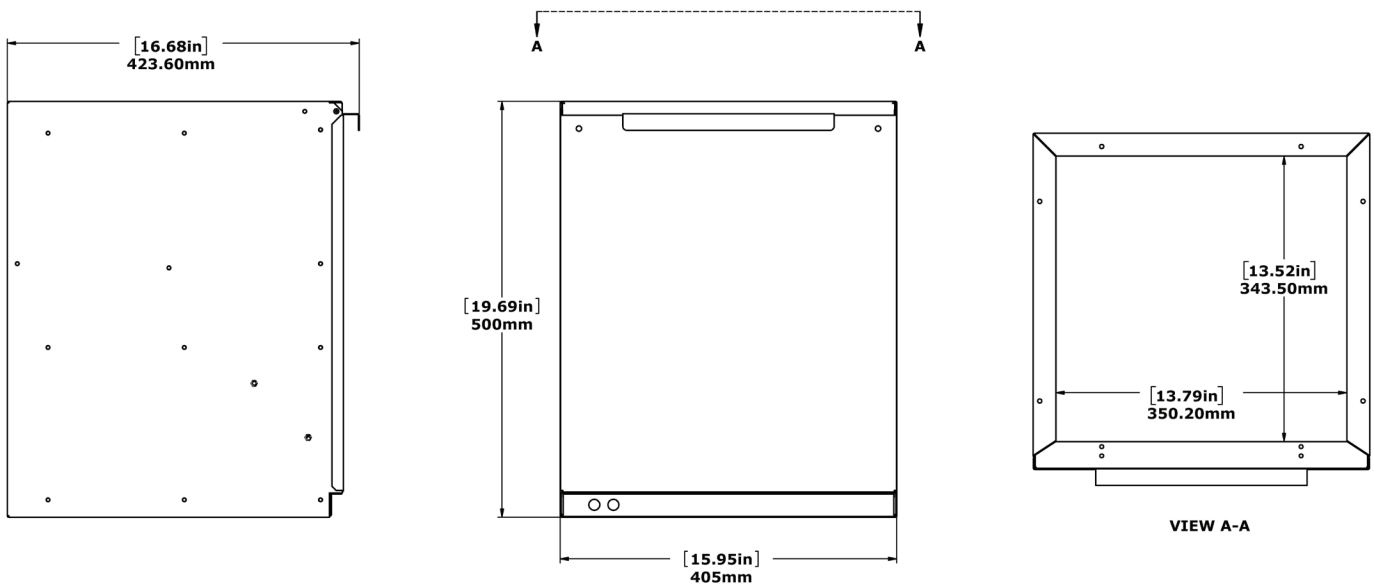
Material	Aluzink Standard, Stainless Steel Optional	
Finish	RAL 7035 Textured Powder Coat Standard, Color options available by request	

FLEXIBOX 480 CAPACITY CHART

Heat Removal at Recommended ΔT



DIMENSIONAL DIAGRAM-MOUNTING INTERFACE



 danthermcooling.com
 sales.usa@danthermcooling.com
 864-595-9800
 110 Corporate Drive, Suite K
 Spartanburg, SC 29303