

PrecisionAir 4000

- Heater option available
- Closed-loop cooling to prevent ingress of environmental contaminants
- Designed for electronics cooling with high ambient temperatures operates to 55°C/131°F
- Easily accessible integrated Dantherm ACG7 controller
- High-quality, high-performance, high-pressure drop BCI fans
- Easy access to critical components for better service
- Bottom intake allows for reduced noise and better protection from contaminants
- Environmentally-friendly R134A refrigerant
- Compact mono-block unit for easy installation in indoor and outdoor applications

GENERAL

UNITS

Model number		PA-4-115	PA-4-230	PA-4-460/3	PA-4-48
Mounting method		Outdoor			
Unit dimensions [height×width×depth]	Inch [mm]	29.0x17.3x11.3 [737x439x286]			
Weight	lbs [kg]	75 [34]			90 [41]

PERFORMANCE

Cooling capacity at 131°F internal /131°F ambient [55°C/55°C]	BTU/h [W]	4270 [1250]			4200 [1230]
Cooling capacity at 95°F internal/ 95°F ambient [35°C/35°C]	BTU/h [W]	4235 [1240]			4000 [1170]
Internal airflow by air conditioning	CFM [m ³ /h]	247 [420]			
External airflow by air conditioning	CFM [m ³ /h]	247 [420]			
Refrigerant type		R134a			
Refrigerant Amount	oz [gram]	7.4 [210]			17.6 [500]
Operational temperature range	°F [°C]	-40 to 131 [-40 to 55]			
Noise, 1.5m distance	dB(A)	<62			<65
Heater	Watts	1000			500

ELECTRICAL DATA

Input voltage	Volts	115 VAC	230 VAC	460 VAC	48 VDC
Frequency	Hz	60 Hz	50/60 Hz		-
Power consumption (Cooling)	Amps	8.9	5.8	2.3	12

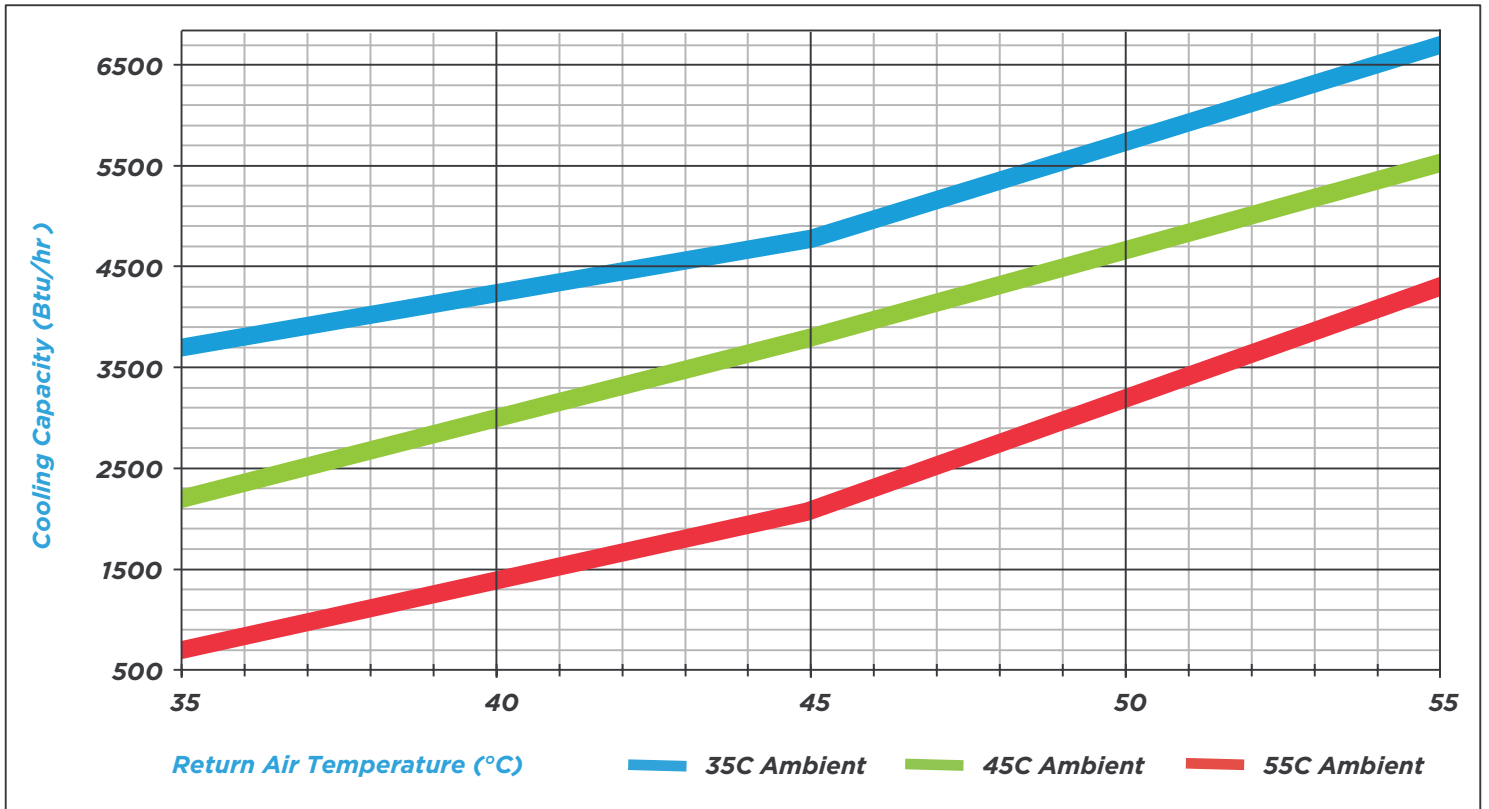
APPROVALS

RoHS, UL, cUL, ETL or cETL listed	✓	4010388 (ETL)	-	SA10718 (UL)
-----------------------------------	---	---------------	---	--------------

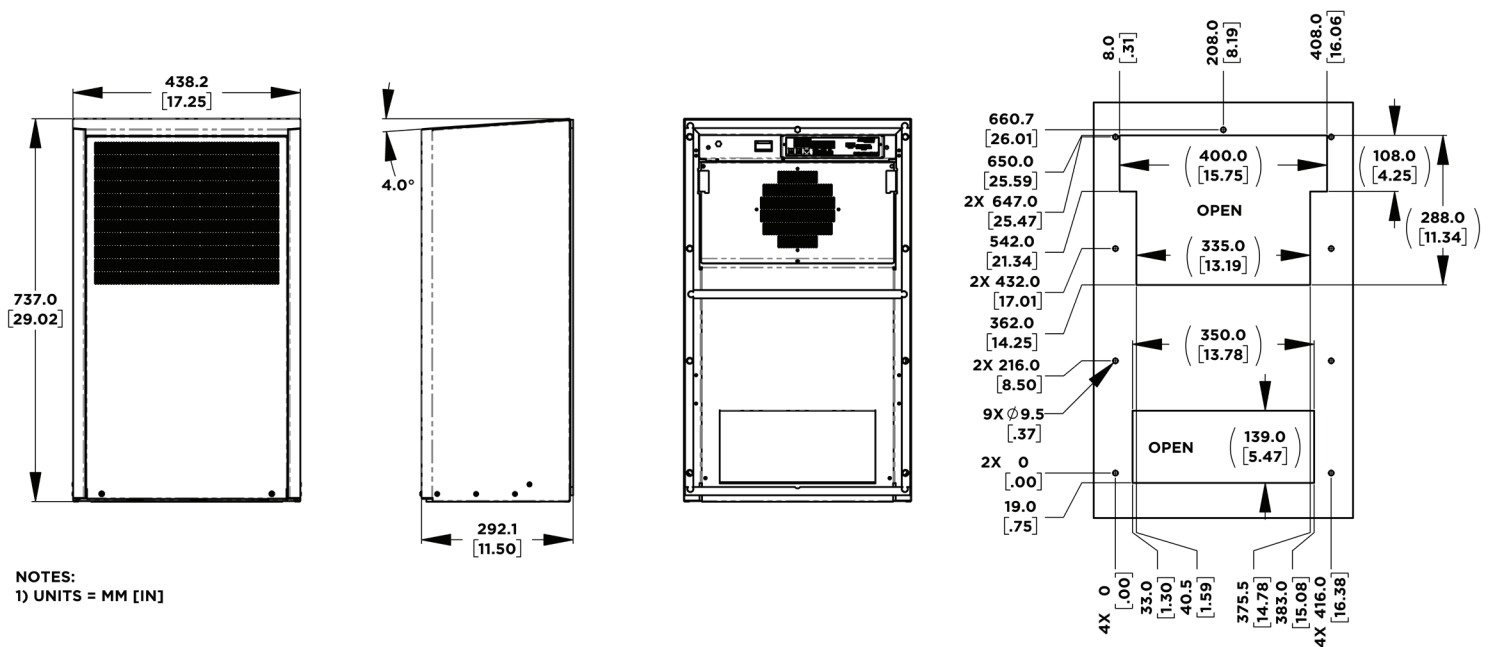
CONSTRUCTION



Material	Galvanized Steel, Stainless Steel Optional				
Finish	Textured Powder Coat Standard, Color options available by request				

AC 4000 COOLING CAPACITY CURVE



DIMENSIONAL DIAGRAM-MOUNTING INTERFACE



 danthermcooling.com
 sales.usa@danthermcooling.com
 864-595-9800
 671 Springfield Road
 Spartanburg SC, 29303