

PRECISIONAIR

10000 BTU- 230 VAC/VDC Product Information Manual

PA-10-230 | PA-10-48 | Last Revised: Feb 25, 2020

Rev A | 864-595-9800 | tech.support@danthermcooling.com

671 Springfield Road
Spartanburg SC, 29303
www.DanthermCooling.com

DANTHERM
COOLING



CONTENTS

INTRODUCTION

This is the service manual for the Dantherm PrecisionAir 10000 BTU VAC/VDC unit. Please see the table of contents below for further information about the sections of this manual.

TARGET GROUP

The target group for this service manual are the technicians who install and maintain the PrecisionAir 10000 BTU 230 VAC or the 48 VDC, as well as, the users of the unit.

COPYRIGHT

Copying of this service manual, or part of it, is forbidden without prior written permission from Dantherm Cooling Inc.

RESERVATIONS

Dantherm reserves the right to make changes and improvements to the product and the service manual at any time without prior notice or obligation.

TABLE OF CONTENTS

UNPACKING / SAFETY / WARNING	3
MODEL IDENTIFICATION.....	4
PRODUCT DESCRIPTION / TABLE / DATA CHART.....	5-9
INSTALLATION	10-11
OPERATIONS AND CONTROLLER.....	12-16
WIRING DIAGRAM	17-18
MAINTENANCE / SPARE PARTS	19-22
WARRANTY RMA.....	23-24
DECLARATION OF CONFORMITY.....	25
INDEX.....	26

UNPACKING, HANDLING, AND INSPECTION

- Congratulations on receiving a new Dantherm Cooling Precision Air system!
- HVAC systems should be maintained in an upright position at all times to prevent refrigerator oil migration.
- While unpacking, the unit should be inspected for any damages that may have occurred during shipping.
- Any damage as a result from mishandling is not covered under Dantherm Cooling's standard warranty.
- Damage to the unit or packaging should be immediately addressed with the shipping carrier.
- Do not attempt to operate or repair the unit if it appears to be damaged.




GENERAL SAFETY

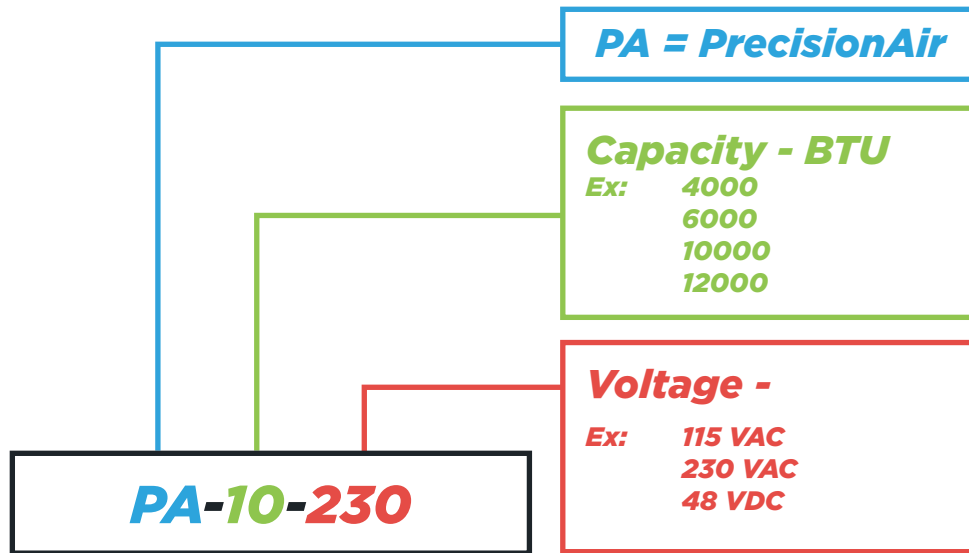
- Certain parts of electrical systems are inevitably live or have a high operating temperature. Observe caution at all times.
- Failure to follow these precautions and installation instructions can cause injury and damage.
- The system is to be installed and maintained only by trained and qualified personnel.
- Do not apply power until all ground connections have been made.
- The unit is fitted with pressed and folded metal parts, which could have sheared metal edges. Be cautious handling the unit, especially when working in poorly accessible places.
- Check that no tools, test equipment, torches etc. have been left in or on the equipment after completion of work.
- Ensure the cover(s) and all mounting hardware is firmly secured before leaving installation.
- All cables and connectors must conform to UL standards.
- Most models are UL recognized and tested to UL484. It will comply where necessary within the safety requirements as defined in UL484.
- After servicing the unit, do not remove the cover(s) for 5 minutes once the unit is turned off to allow pipe work (compressor discharge) to cool.

WARNING

INTRODUCTION: This installation manual and the product uses various displays and labels to ensure safe use. Ignoring these displays and labels and incorrectly using the product could produce results as classified below. Please read the following warning symbol information before reading the rest of this section, and be sure to strictly observe all instructions.

GENERAL PRECAUTION: This appliance is not intended for use by persons (including children) with reduced physical, sensory or mental capabilities, or lack of experience and knowledge, unless they have been given supervision or instruction concerning the use of the appliance by a person responsible for their safety. Children should be supervised to ensure that they do not play with the appliance. If the power cord is damaged, it must be replaced by the manufacturer, a service agent, or a similarly qualified person in order to avoid a hazard.

 **WARNING:** Not following these instructions could result in death or serious injury.  **CAUTION:** Not following these instructions could result in injury or property damage.  **This symbol will show for something that should NOT be done.** Project safety is your responsibility! Follow the instructions in this manual regarding the installation method and installation orientation. Not following these instructions could result in injury, death, or damage to equipment. All work should be performed by qualified personnel using safe work practices. All proper protective equipment should be used. PPE required for this installation may include, but is not limited to: **Safety glasses | Hard hat | Safety shoes | Hearing protection | Cut resistant gloves | Face shield | Proper work attire (long sleeve shirt and long pants)**

NOMENCLATURE

Please strictly observe the following: Special skills are required to install Dantherm products. Non-qualified personnel should not attempt any of the actions shown in this installation guide. Dantherm shall not be responsible for improper installation or any accidents, damages, or injury resulting from improper installation.

INTRODUCTION

This section describes the overall product and its functionality.

The PrecisionAir series is designed to control the internal temperature of an enclosure. The PrecisionAir series removes dissipated heat from electronic equipment and is designed to maintain accurate temperatures for electronic equipment.

IMPORTANT

Dantherm Cooling Inc. recommends that the cooling system run continuously.

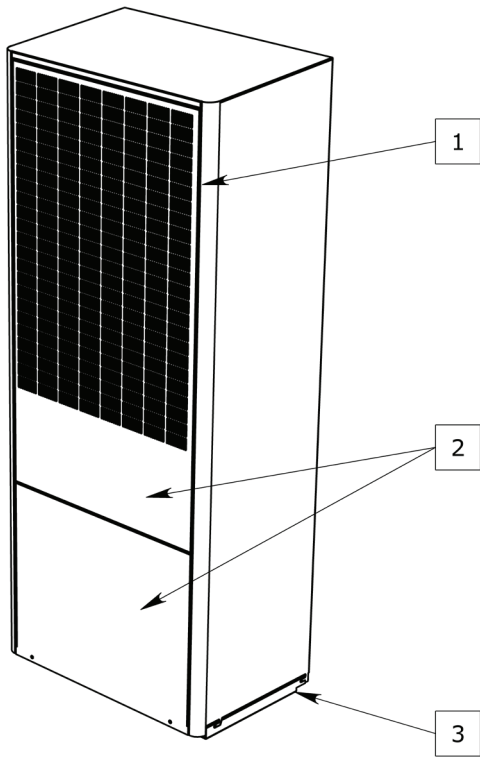
MODEL OVERVIEW

PA	ENCLOSURE SIZE INCH (MM) H*W*D	COOLING CAPACITY/BTU	HEATER POWER/WATT	VOLTAGE/ FREQUENCY	EXTERNAL OVER CURRENT PROTECTION
PA-10-230	47.3 X 19.3 X 12.2 (1201 X 490 X 309)	10000	2000	230V / 50-60Hz	15
PA-10-48	47.3 X 19.3 X 12.2 (1201 X 490 X 309)	10000	500	48V DC	30

AVAILABLE ACCESSORIES

This table shows the accessories available from the supplier.

DESCRIPTION
Air Filter
Crankcase Heater - 230
Filter Bracket



OUTDOOR VIEW

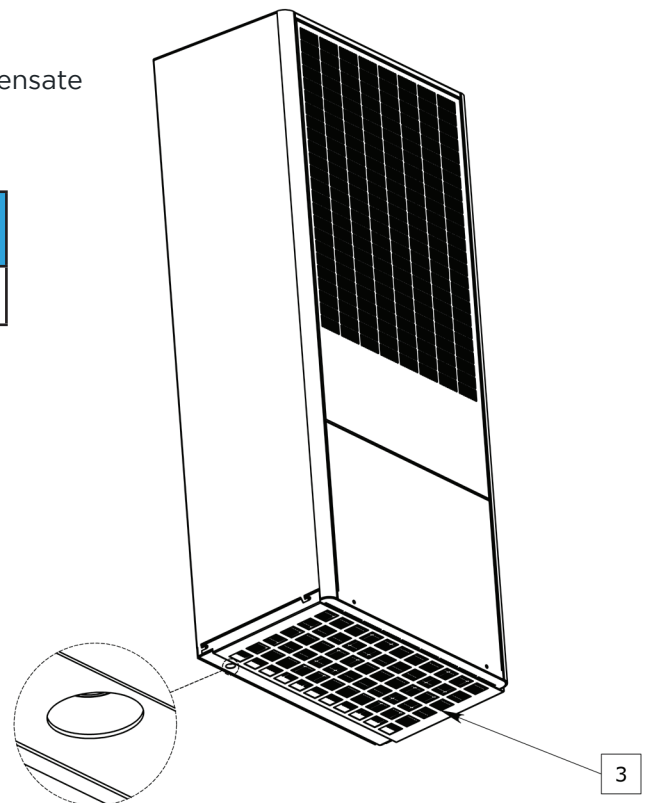
This illustrates the units outdoor view.

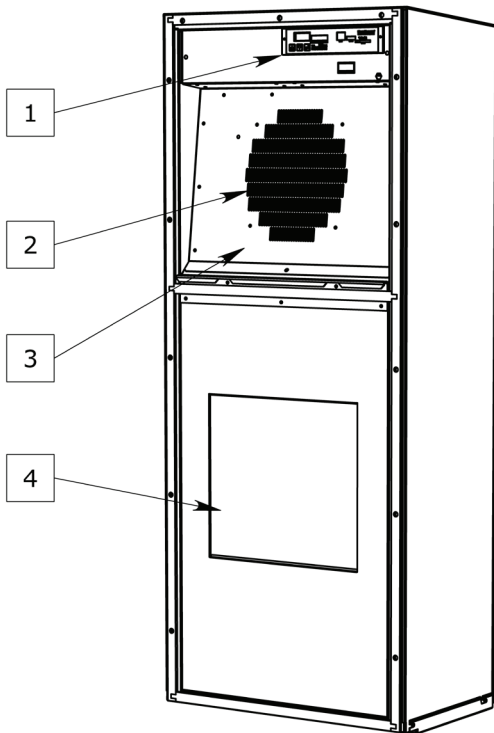
PART	DESCRIPTION
1	Condenser Air Outlet
2	Removable Front Cover
3	Condenser Air Inlet

DRAINAGE

An optional drain line is available for routing condensate away from unit if necessary.

PART	DESCRIPTION
4	Filter Support Bracket





INDOOR VIEW

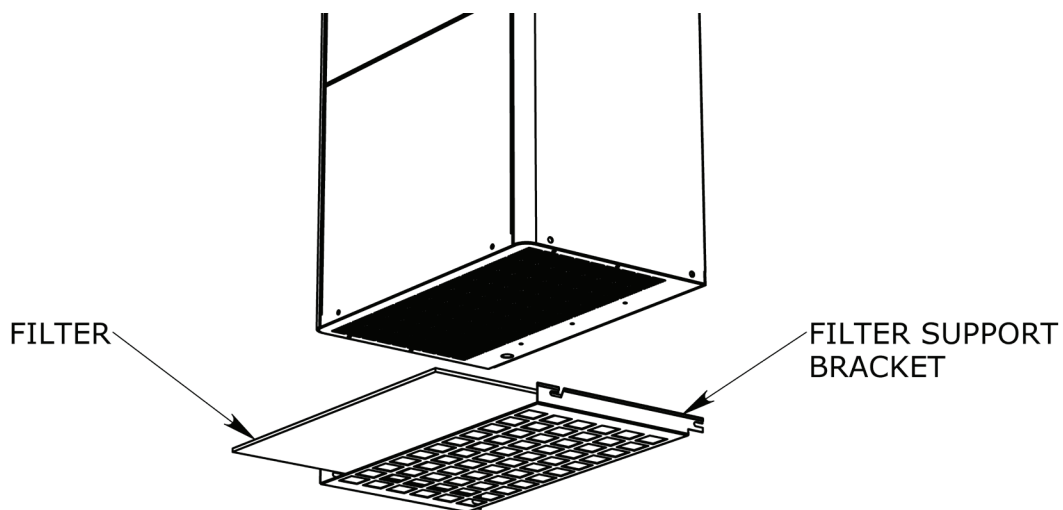
This illustrates the units indoor view.

PART	DESCRIPTION
1	Intelligent Thermal Controller
2	Evaporator Return
3	Evaporator Fan Guard
4	Evaporator Outlet

FILTERS

The external air inlet in the bottom of the unit, has a cutout pattern of 1/8" by 3/4". This will extensively reduce the risk of leaves or bugs entering the condenser air inlet.

The slide track in the bottom enables the user to slide in replacement filters, which can be purchased as an accessory through Dantherm Cooling.



FUNCTIONALITY

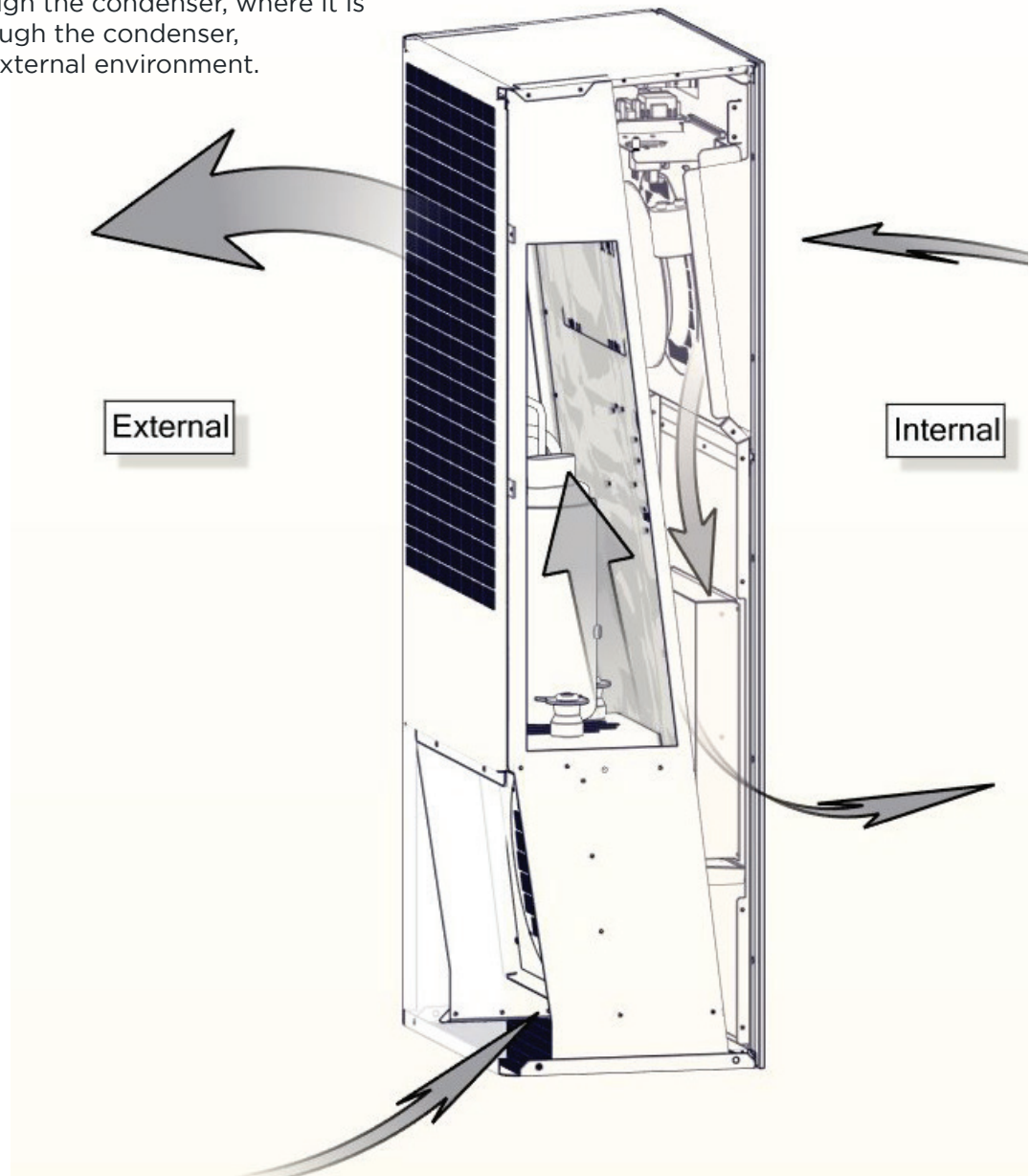
The illustration below shows the airflow of the air conditioner. The two air flows (internal/external) operate separately. External air is only used to cool down the condenser which dissipates the heat absorbed by the indoor evaporator. The air flows are not mixed.

INTERNAL AIR FLOW

Warm, internal air is drawn into the unit by the internal evaporator fan. The air is then pushed through the evaporator, and then released into the enclosure through the evaporator opening.

EXTERNAL AIR FLOW

Cold, external air is drawn into the unit by the condenser fan, and then routed through the condenser, where it is cooled. After passing through the condenser, the air is returned to the external environment.



10000 PRECISIONAIR UNITS

TECHNICAL DATA

These units are designed for high reliability and electrical efficiency.

- Compressor is a rotary type with high efficiency.
- Radial Fans with backward curved impellers for higher CFM.
- Slim MPE Condenser for high performance thus low pressure drop.

SPECIFICATION	UNIT	230 VAC	48 VDC
UNIT DIMENSIONS (HEIGHT X WIDTH X DEPTH)	Inch	47.3 X 19.3 X 12.2	47.3 X 19.3 X 12.2
WEIGHT	Lbs	115	115
OPERATIONAL TEMPERATURE RANGE	°F	-40-+131	-40-+131
STORAGE TEMPERATURE/ HUMIDITY	°F/RH%	-40-+176/ 0-99	-40-+176/ 0-99
NOISE LEVEL, OUTSIDE 1.5M DISTANCE AT 80.6 °F INTERNAL / 95 °F AMBIENT	dB(A)	65	65
OUTDOOR ENCLOSURE ACC. UL 50	N/A	Type 3R	Type 3R
REFRIGERANT TYPE/ AMOUNT	Type	R134a/500g	R134a/500g
COOLING CAPACITY AT 80.6 °F INTERNAL / 95 °F AMBIENT (TOTAL)	BTU/h	10000	10000
INTERNAL AIRFLOW	CFM	450	450
EXTERNAL AIRFLOW	CFM	710	710
INPUT VOLTAGE RANGE	V	230+/-10% VAC	48, +20%/-15% VDC
FREQUENCY	Hz	50/60	N/A
POWER CONSUMPTION COOLING	A	11.0	29
POWER CONSUMPTION HEATER	W	2000	500
EXTENSION CORD DIMENSION	AWG	14	10
SHEET METAL PROTECTION	N/A	Galvanized	Galvanized

INSTALLATION

INTRODUCTION

This unit is designed to be mounted outdoor, flush to the wall. Any other installation method is not recommended.

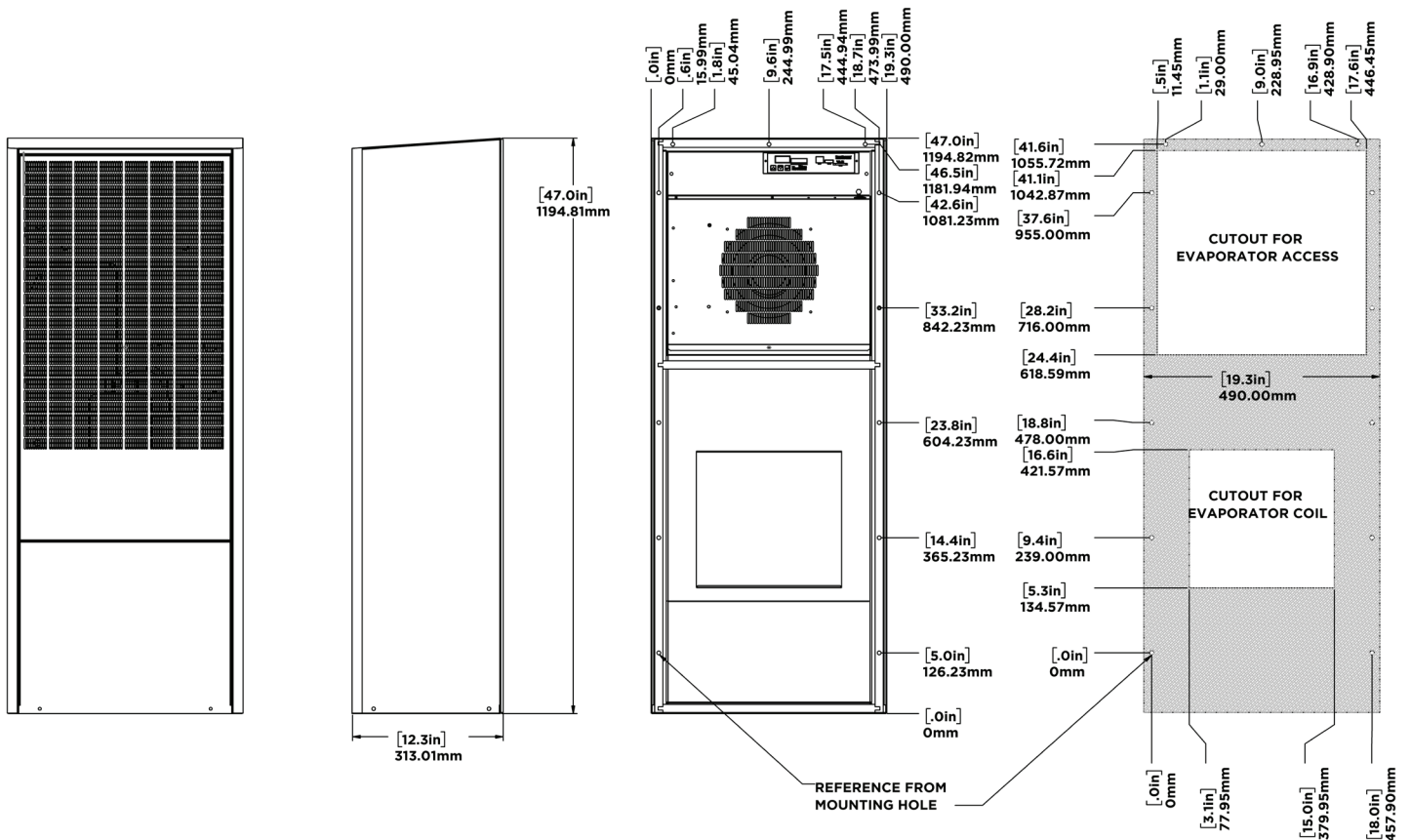


WARNING

Never carry out any installation, maintenance, or service without disconnecting the power supply.

INSTALLATION PLACEMENT

Any installation should allow good air flow inside the enclosure. The unit has cold temperature supply in the lower part and return air in the upper part of the unit. Please consider how to achieve the best possible air flow when selecting appropriate placement. Any installation should be finished with a proper Polymer sealant around the outside of the unit to prevent any water intrusion.



INSTALLATION CONT.

Lift the unit into the cutouts and place it on the hanging brackets, if applicable. Place the bolt from the inside and secure them one by one, taking great care that no damage is done to the unit or enclosure due to the small variation in enclosure structure. The maximum torque is 120 in-lbs with a recommended assembly torque of 75 in-lbs.

After fastening all of the bolts, the unit should be sealed on the outside, top and side junctions towards the enclosure.

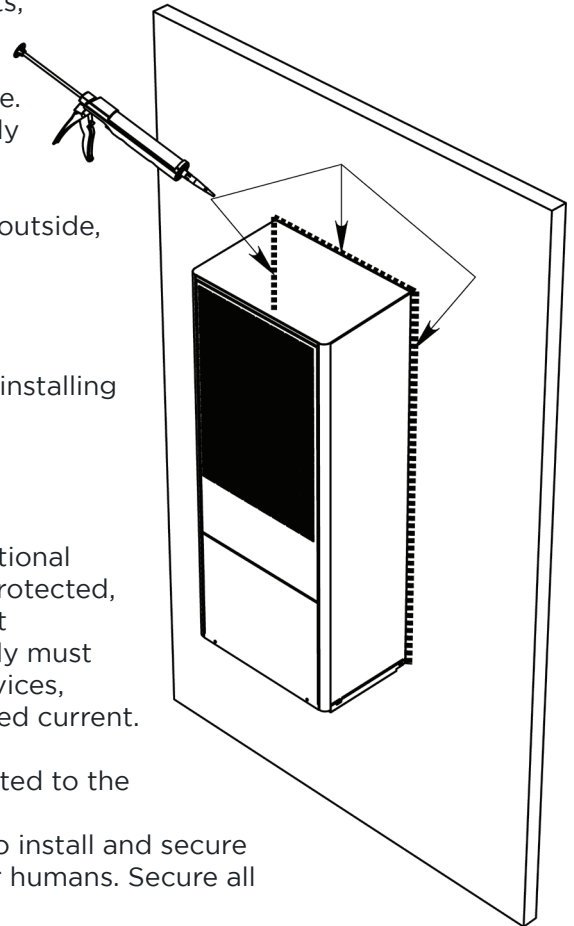
ELECTRICAL REQUIREMENTS

Please incorporate the following imperative requirements when installing the electrical connections:

**WARNING**

Any installation should always be in accordance with national wiring regulations. DC / AC external supply should be protected, with an external disconnecting device that has a contact separation of at least 3 mm. This external DC / AC supply must also be over current protected. These disconnecting devices, must always be labeled with rated voltage as well as rated current.

- The units ground connections must always be connected to the enclosures ground.
- All cables in a permanent installation are imperative to install and secure properly to prevent any damage to equipment and/or humans. Secure all cables with cable ties or appropriate cable fasteners.

**ELECTRICAL CONNECTIONS**

Follow requirements below for electrical connections:

**WARNING**

1. The power and/or additional connections need to be routed, secured and connected to appropriate sources. The PrecisionAir unit is either delivered with:
 - a. 10 ft. cable with stripped wires are to be connected inside a distribution board. Refer to wiring diagrams for connections.
 - b. Unit types with extension “-L” on the label are delivered with a factory fitted plug, that should be connected to an appropriate outlet, that is not accessible to the general public.
 - c. -48 DCV units are supplied with a harness that should be connected to the fused power.
2. If the power supply cord is to be extended, always use at minimum the same gauge.
3. Connect the PrecisionAir units ground terminal to enclosure grounding.
4. All power supply connections are to be secured with an external disconnection device, as well as over current protection.
5. Connect any needed accessories.

ELECTRONIC CONTROL DESCRIPTION

This section describes key features of the ACG7 controller, and how it operates.



WARNING

Never carry out any installation, maintenance or service, without disconnecting the power supply.

EMBEDDED CONTROLLER

Basic parameters can be set via the ACG-7, from inside the enclosure. Extended parameter settings, as well as, logging of operation data, is possible through the SD card interface.

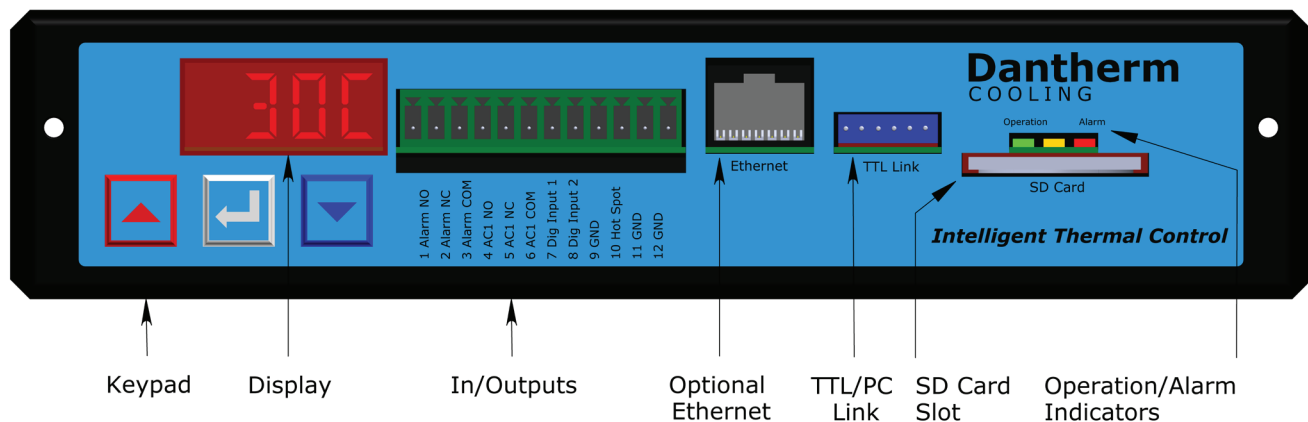
CONTROL STRATEGY

The controller regulates the fans heater, and cooling based on desired set points.

- When operating, the evaporator fans will circulate the indoor air continually.
- When temperature in the enclosure is higher than the set-point the compressor will start, which initiates cooling.
- The compressor will stop once set-point and hysteresis is achieved.
- A high temperature alarm (when temp is higher than 50° C) will initiate a red LED shown at the alarm output on the front of the controller.
- Low temperature alarm (when temp is lower than 1° C) will initiate an alarm on the alarm output.
- The condenser fan operates only when the actual temperature on the condenser surface requires this operation.

OPERATION PANEL

This illustrates the operation panel, from inside the enclosure.

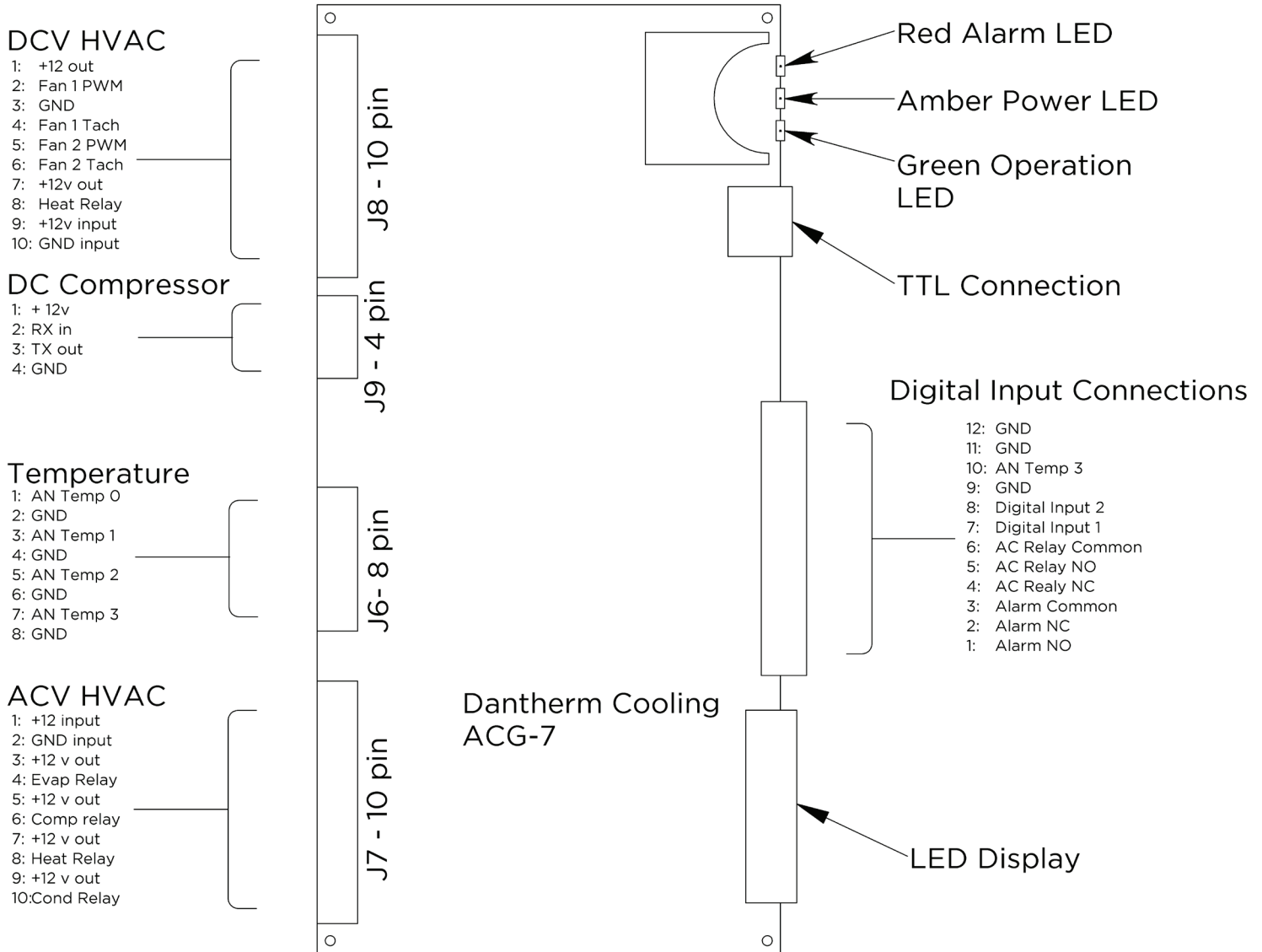


CONNECTIONS

The control board is placed internally alongside the edge of the unit's enclosure. This allows the internal connections to be inserted to the internal board. This reveals the external connections through the cut out in the sheet metal front plate.

CONNECTIONS ILLUSTRATIONS

This illustration shows the external connections to the controller.



EXTERNAL CONNECTIONS ON NEXT PAGE...

EXTERNAL CONNECTIONS

The air conditioner can operate as a standalone cooling system if you connect it to the proper electrical cord and use the operation panel on the front of the controller. For enhanced usage, it is possible to connect an external display with keypad.

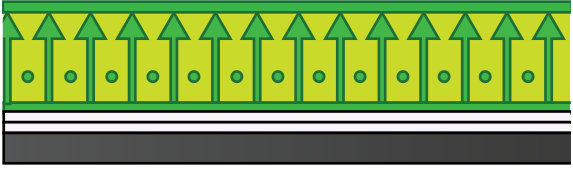
SEE TABLE BELOW FOR OPTIONS:

CONNECTION	USAGE	SPECIFICATION
ALARM 1, 2, 3	This output will toggle open/close if any operation errors occur. Default open OR default close can be set via a jumper on the PCB. Factory setting is normally open.	Potential Free Max. 42 ACV or 60 DCV. / 500mA Galvanic Isolated (500V)
AC 4, 5, 6	This output will toggle open/close if the highest temperature setpoint is exceeded.	Potential Free Max. 42 ACV or 60 DCV. / 500mA Galvanic Isolated (500V)
DIGITAL INPUT 7, 9	This input can control and overrule some operation parameters. See more in the parameters list.	0/12 DCV Max. 10mA
DIGITAL INPUT 8, 9	This input can control and overrule some operation parameters. See more in the parameters list.	0/12 DCV Max. 10mA
HOTSPOT SENSOR 9, 10	This is the temperature sensor placed inside the enclosure. It can be placed in a hotspot zone, if required.	NTC -30 to 85°C (-22 to 185 °F)

CONT. ON NEXT PAGE...

COOL (Cool)	Press the “up” or “down” key to change the “compressor on” temperature. Pressing “enter” returns to the main display. After 30 seconds of no action, it will revert to the main display.																																																																																
HEAT (HEAt)	Press the “up” or “down” key to change the “compressor on” temperature. Pressing “enter” returns to the main display. After 30 seconds of no action, it will revert to the main display.																																																																																
TEST (tEST)	<p>Press the “up” or “down” key to change the “compressor on” temperature. Pressing “enter” returns to the main display. After 4 minutes of no action, it will revert to the main display.</p> <table border="1" data-bbox="337 617 1328 1087"> <thead> <tr> <th>Step</th> <th>Evap</th> <th>Cond</th> <th>AC</th> <th>Heater</th> <th>DC Fan 1 (evap)</th> <th>DC Fan 2 (cond)</th> <th>DC Comp</th> </tr> </thead> <tbody> <tr> <td>0</td> <td>Off</td> <td>Off</td> <td>Off</td> <td>Off</td> <td>Off</td> <td>Off</td> <td>Off</td> </tr> <tr> <td>1</td> <td>On</td> <td>Off</td> <td>Off</td> <td>Off</td> <td>Off</td> <td>Off</td> <td>Off</td> </tr> <tr> <td>2</td> <td>On</td> <td>On</td> <td>Off</td> <td>Off</td> <td>Off</td> <td>Off</td> <td>Off</td> </tr> <tr> <td>3</td> <td>On</td> <td>On</td> <td>On</td> <td>Off</td> <td>Off</td> <td>Off</td> <td>Off</td> </tr> <tr> <td>4</td> <td>On</td> <td>Off</td> <td>Off</td> <td>Off</td> <td>Off</td> <td>Off</td> <td>Off</td> </tr> <tr> <td>5</td> <td>On</td> <td>Off</td> <td>Off</td> <td>On</td> <td>100%</td> <td>Off</td> <td>Off</td> </tr> <tr> <td>6</td> <td>Off</td> <td>Off</td> <td>Off</td> <td>Off</td> <td>100%</td> <td>100%</td> <td>Off</td> </tr> <tr> <td>7</td> <td>Off</td> <td>Off</td> <td>Off</td> <td>Off</td> <td>100%</td> <td>100%</td> <td>100%</td> </tr> <tr> <td>8</td> <td>Off</td> <td>Off</td> <td>Off</td> <td>Off</td> <td>Off</td> <td>Off</td> <td>Off</td> </tr> </tbody> </table>	Step	Evap	Cond	AC	Heater	DC Fan 1 (evap)	DC Fan 2 (cond)	DC Comp	0	Off	Off	Off	Off	Off	Off	Off	1	On	Off	Off	Off	Off	Off	Off	2	On	On	Off	Off	Off	Off	Off	3	On	On	On	Off	Off	Off	Off	4	On	Off	Off	Off	Off	Off	Off	5	On	Off	Off	On	100%	Off	Off	6	Off	Off	Off	Off	100%	100%	Off	7	Off	Off	Off	Off	100%	100%	100%	8	Off	Off	Off	Off	Off	Off	Off
Step	Evap	Cond	AC	Heater	DC Fan 1 (evap)	DC Fan 2 (cond)	DC Comp																																																																										
0	Off	Off	Off	Off	Off	Off	Off																																																																										
1	On	Off	Off	Off	Off	Off	Off																																																																										
2	On	On	Off	Off	Off	Off	Off																																																																										
3	On	On	On	Off	Off	Off	Off																																																																										
4	On	Off	Off	Off	Off	Off	Off																																																																										
5	On	Off	Off	On	100%	Off	Off																																																																										
6	Off	Off	Off	Off	100%	100%	Off																																																																										
7	Off	Off	Off	Off	100%	100%	100%																																																																										
8	Off	Off	Off	Off	Off	Off	Off																																																																										
ERR (Err)	<p>Display the error code if there is an error. If no error is present, this is not shown.</p> <table border="1" data-bbox="337 1226 1182 1415"> <tbody> <tr> <td>5</td> <td>High/ Low Temp</td> <td>9</td> <td>Return Sensor</td> </tr> <tr> <td>6</td> <td>DC Fan 1</td> <td>10</td> <td>Hotspot Sensor</td> </tr> <tr> <td>7</td> <td>DC Fan 2</td> <td>13</td> <td>Condenser Sensor</td> </tr> <tr> <td>8</td> <td>DC Comp</td> <td>16</td> <td>High Pressure</td> </tr> </tbody> </table>	5	High/ Low Temp	9	Return Sensor	6	DC Fan 1	10	Hotspot Sensor	7	DC Fan 2	13	Condenser Sensor	8	DC Comp	16	High Pressure																																																																
5	High/ Low Temp	9	Return Sensor																																																																														
6	DC Fan 1	10	Hotspot Sensor																																																																														
7	DC Fan 2	13	Condenser Sensor																																																																														
8	DC Comp	16	High Pressure																																																																														
UNIT (unit)	Toggle between “C” and “F”. Set points will change on the display accordingly. The TTL display will remain in Celsius. After 30 seconds of no action, it will revert to the main display.																																																																																

CONT. ON NEXT PAGE...

<p>CONNECTIONS</p>	 <p>1 Alarm NO 2 Alarm NC 3 Alarm COM 4 AC1 NO 5 AC1 NC 6 AC1 COM 7 Dig Input 1 8 Dig Input 2 9 GND 10 Hot Spot 11 GND 12 GND</p> <p>FORM "C" ALARM: Connect to 1 & 3 for "Open" during alarm, "Close" during normal operation. Connect 2 & 3 for "Closed" during alarm, "Open" during normal operation. AC OUTPUT: Connect to 4 & 6 for controlling external air conditioner. See separate document for lead/ lag operation. DIG INPUT 1: When 7 & 9 are connected, until will cool in override mode. See sperate document for lead/ lag operation. DIG INPUT 2: For use with a door switch to interrupt operation of the unit. HOT SPOT SENSOR: Connect Dantherm Cooling sensor to 10 & 11 for remote sensing operation.</p>
<p>SD CARD/ DATA LOGGING</p>	<p>An SD card can be inserted into the controller for automatic data logging. The data file will be labeled "log.txt". This is useful for capturing field related issues over time. The card must be a 32GB or smaller, SD or SDHC. Larger sizes and SDXC are not supported.</p> <p>If needed, a heading of the log file ("loghdr.txt") can be obtained by contacting technical support, which assists in identifying problems in the fields.</p>
<p>TTL LINK/ ETHERNET</p>	<p>For factory use.</p>

WIRING

OPERATION

The ACG-7 uses a keypad with operator interface to navigate menus, control operations, and view alarms.

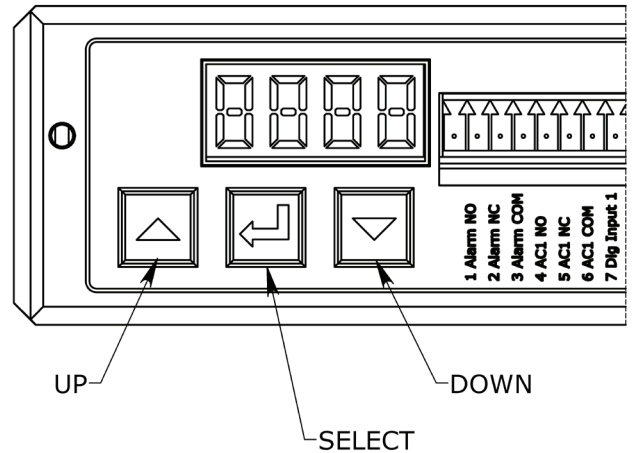
KEY OPERATION

The functionality on the control panel is as follows:

- Left key is step up
- Right key is step down
- Middle key is select

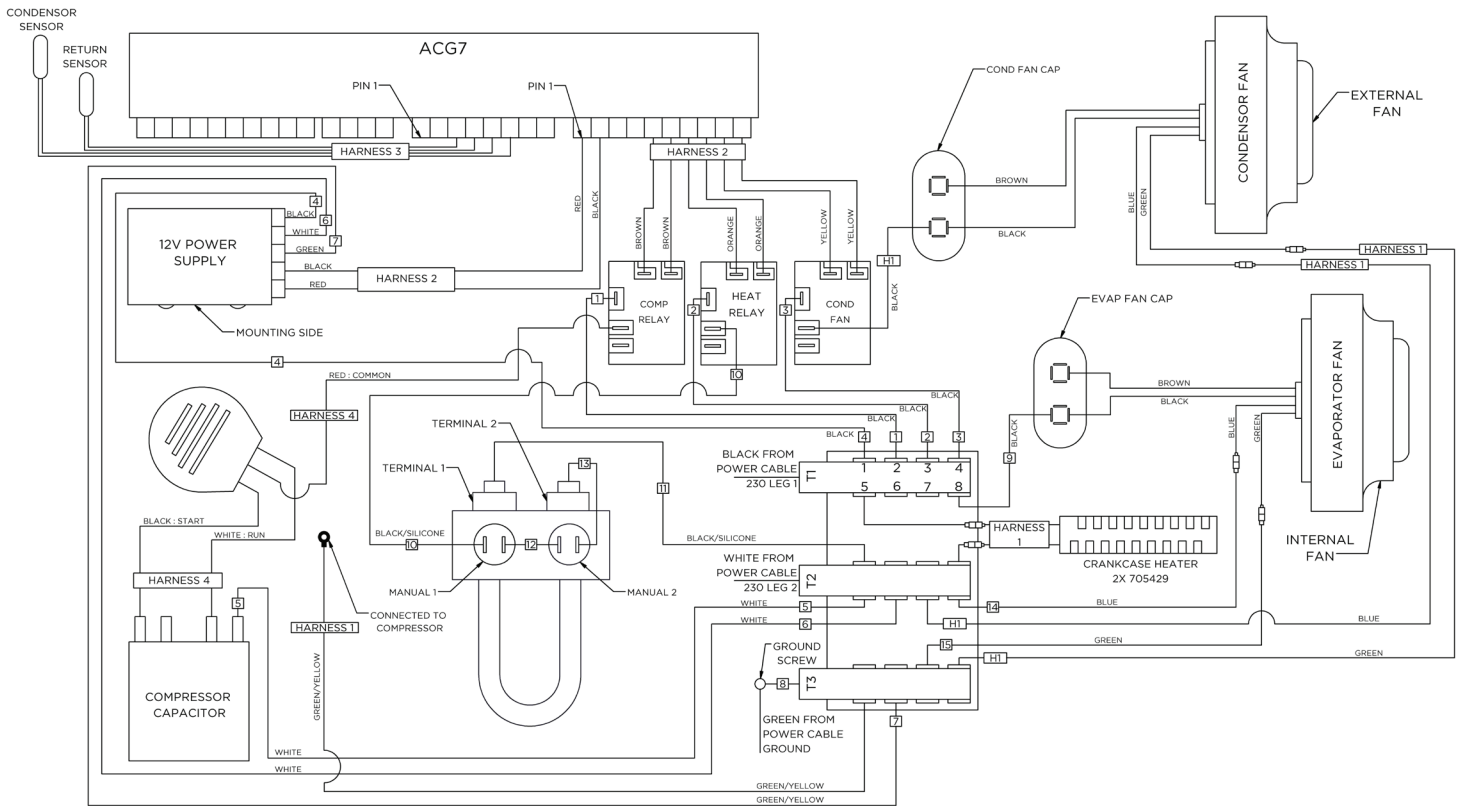
NAVIGATING MENU

Menu structure and navigation: Step up/down to jump through menus, press enter to select the parameter to read or change.

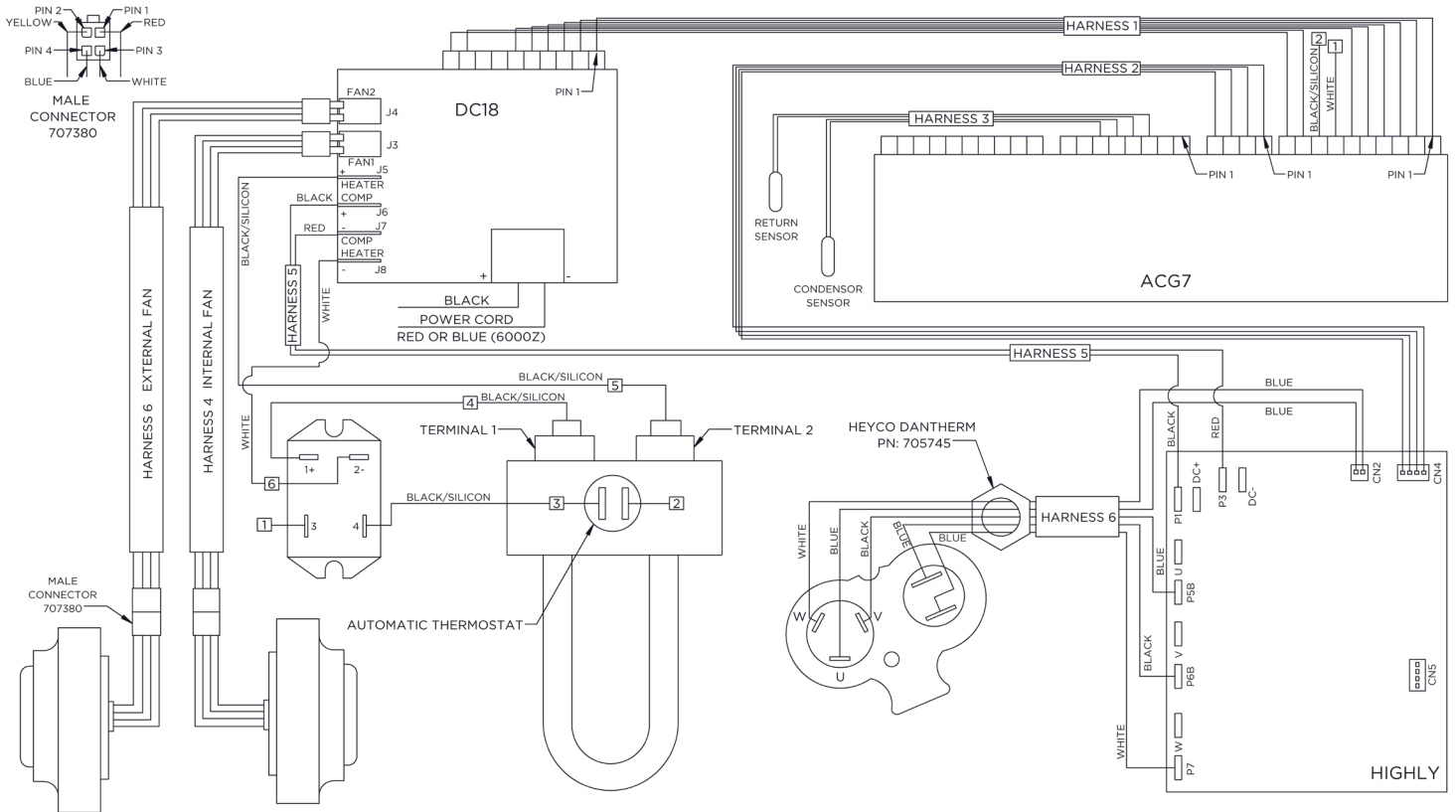


WIRING DIAGRAM:

230V



48 DCV



PREVENTATIVE MAINTENANCE

Preventive maintenance must be completed in order to:

- Continue operation in specified range
- Avoid malfunctions
- Avoid inefficient operation
- Maximize the unit's lifetime

The factory warranty is only valid if documented preventive maintenance has been carried out, with a time interval of:

- Maximum 6 months when unit is located in normal air quality environment.
- Maximum 2 months when unit is located in bad air quality environment.

A written log at site is adequate documentation for preventive maintenance.



CAUTION

- Switch off power supply before working on the unit
- Make sure that all work has been performed correctly before switching power back on

The unit must be cleaned according to the recommended preventive maintenance plan.

Tools required:

- Vacuum cleaner or compressed air
- Soft brush
- TORX 20 and 25 Security Driver
- AC cleaning agent as needed

PHASE	DESCRIPTION
1	Check and clean the outside air inlet grill if needed.
2	Open the units outer cover by removing the two screws in the lower edge of the cover.
3	Vacuum the condenser coil and the visible part of the fan.
4	Vacuum the evaporator coil from the inside of the enclosure.
5	If any of the coils are still dirty, apply AC cleaning agent on coil fins, and after 5 minutes gently rinse off with water, WITHOUT spraying water on any electrical parts.
6	Perform final inspection according to the list in the next section.

INSPECTION

The unit must be inspected before it is reassembled and put back into service. Please follow the steps below:

PHASE	DESCRIPTION
1	Are the fans clean and free of any corrosion?
2	Are the coolant pipes free of obstructions, damage, corrosion and show no obvious signs of leakage?
3	Are the coils clean and undamaged?
4	Are all fan blades free of any obstructions, cracks or missing blades?
5	When manually rotating the fans, do the fans rotate freely, without vibrations and noise?
6	Is all wiring and insulation undamaged?
7	Are all connector(s) secured properly and in good condition?
8	Inspect the drain hose (if any) for damage or obstruction.
9	Are there any alarms visible on the controller?

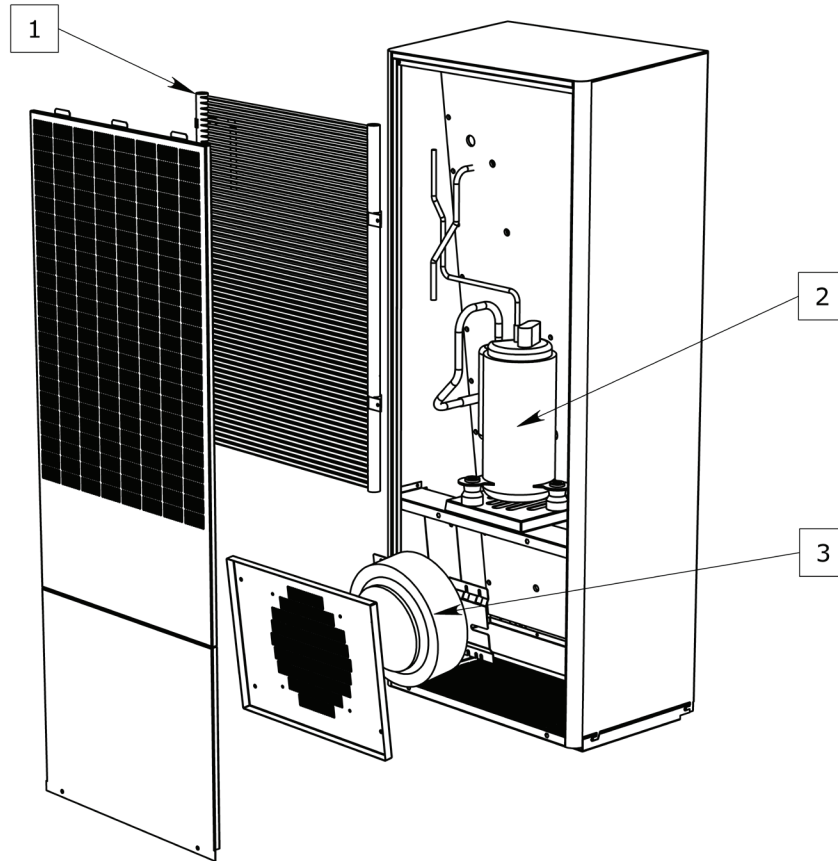
TEST COOLING CIRCUIT

The cooling circuit is designed for long durability, and is based only on a few components. Any testing of the circuit should be conducted, only if, a relevant problem has arisen. Open the unit's outside cover, by removing the two screws in the lower part.

Locate the service valve, connect a pressure gauge, and check that the pressure is aligned with the present temperature. Due to critical refrigerant changes, low volume refrigeration hoses with low loss fittings should be used when accessing the refrigeration system. Care should be taken to minimize any amount of lost refrigerant.

EXTERNAL SPARE PARTS

The illustration shows the available spare parts for the condenser section of the unit.



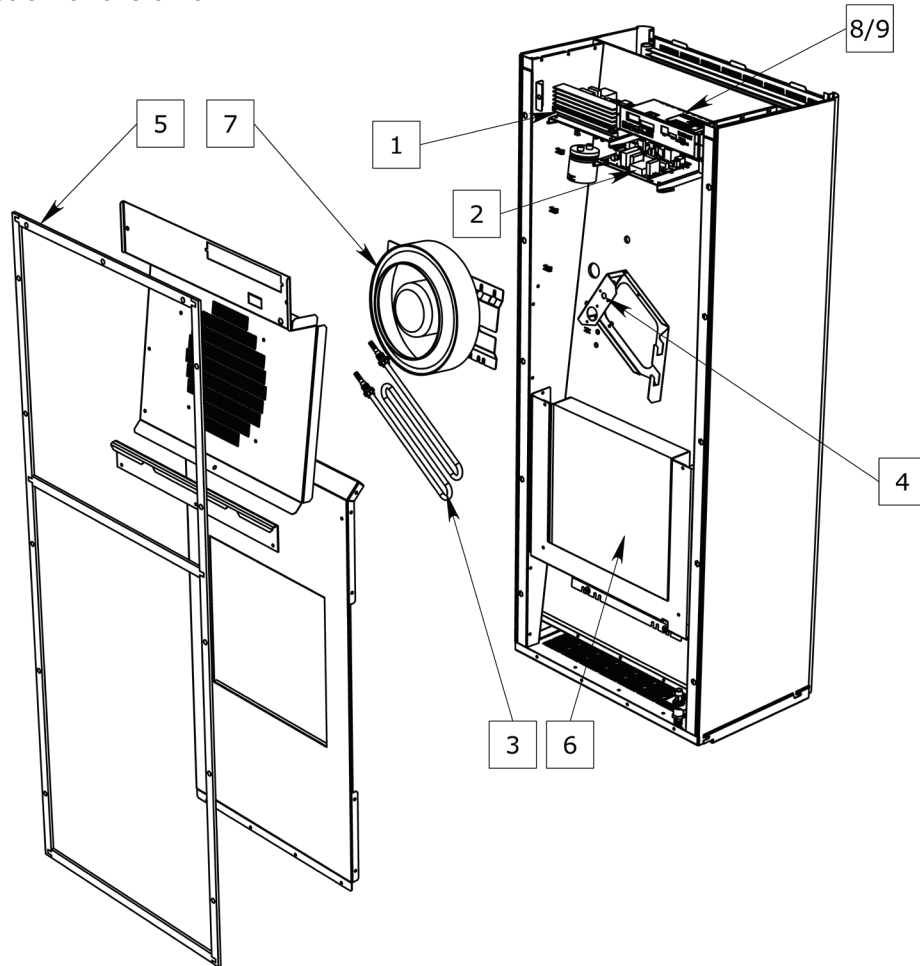
SPARE PART'S LIST

This list shows available spare parts for the condenser section of the unit.

POS.	DESCRIPTION
1	Coil, Condenser, PrecisionAir 10000
2	Compressor
3	Condenser Fan
	Screw, M6 X 25, HEX Head, SS
	Washer, ¼", Flat, SS
	Washer, ¼", Spring Lock, SS

INTERNAL SPARE PARTS

The illustration below shows the available spare parts for the evaporator section of the unit.



SPARE PARTS LIST

This list shows available spare parts for the evaporator section of the unit.

POS.	DESCRIPTION
1	AC- Relay, 40 A. 12V Coil. –DC-CD3 Compressor Controller
2	AC- Power Supply, 12 DCV, 15W–DC- In Rush Controller
3	Heater Element 2000W, 230 VAC, Heater Element 500W, 48 VDC
4	Thermostat, Temp Limiting, Manual Reset, Open 170F
5	Gasket Kit, PrecisionAir 10000 Mounting
6	Coil, Evaporator, PrecisionAir 10000
7	Evaporator Fan
8	ACG7 Assembly with Housing and Overlay

WARRANTY:

DANTHERM COOLING, INC., HEAT EXCHANGERS AND AIR CONDITIONING UNITS HAVE LIMITED WARRANTY.

DANTHERM COOLING, INC. (“**DANTHERM**”) limited warranty extends to the original purchaser only of any **DANTHERM** heat exchanger and air conditioning unit, and to no other person or entity. **DANTHERM** warrants that such **DANTHERM** products will be free from defects in materials and workmanship in normal use for a period of twelve (12) months from the date of the original purchase. Should any part of your **DANTHERM** product fail because of a manufacturing defect within such twelve (12) month period, **DANTHERM** terms are set out below.

IMPORTANT

- Using Dantherm nominated service contractors – warranty on product continues.
- Using Dantherm non-approved service contractors – warranty on product becomes void.
- Warranty period starts from date of shipment – warranty of replacement parts shall only apply for the remainder of the warranty period of the original product.

*Any transportation, related service labor, diagnosis calls, filters, driers, and refrigerant are not included. In the event all related service labor is performed by **DANTHERM** nominated service contractors, the replacement part shall be warranted by **DANTHERM** for the remainder of the warranty period for the original product.*

*This warranty does not cover damages or repairs caused by improper installation, misuse of the product, negligent servicing, improper applications, unauthorized modifications, improper electrical supply, failure to follow manufacturer’s instructions and rating plate information, accidents, natural disasters, damage in transportation, lack of normal preventive maintenance, or other events beyond **DANTHERM’s** control. This warranty is also subject to the following operating conditions:*

1) voltage variation not greater than 10%, 2) frequency variation not greater than 3Hz from nameplate rating 3) cooling load is not greater than product label under rated conditions 4) unit is not restarted for a period of five minutes after accidental or intentional shut-off 5) operation is not subject to abnormal conditions or customer/user misapplication 6) customer or user does not modify, abuse, or neglect the product 7) refrigerant specified on nameplate is only refrigerant used 8) customer or user complies with all other installation, maintenance, and operating instructions. Cost of repair or replacement of consumable parts is not covered under the terms of this warranty.

THIS WARRANTY CONSTITUTES THE EXCLUSIVE REMEDY OF ANY PURCHASER OF A DANThERM HEAT EXCHANGER, AIR CONDITIONING UNIT AND IS IN LIEU OF ALL OTHER WARRANTIES. THIS ALSO INCLUDES, WITHOUT LIMITATION, ANY IMPLIED WARRANTIES OF MERCHANTABILITY, FITNESS FOR USE, OR FOR A PARTICULAR PURPOSE. IN NO EVENT SHALL ANY IMPLIED WARRANTIES OF MERCHANTABILITY, FITNESS FOR USE, OR FOR A PARTICULAR PURPOSE EXCEED THE TERMS OF THE APPLICABLE WARRANTY STATED ABOVE, AND DANThERM SHALL HAVE NO OTHER OBLIGATION OR LIABILITY, EXPRESS OR IMPLIED. IN NO EVENT SHALL DANThERM BE LIABLE FOR ANY INCIDENTAL OR CONSEQUENTIAL DAMAGES. THIS WARRANTY GIVES YOU SPECIFIC LEGAL RIGHTS, AND YOU MAY ALSO HAVE OTHER RIGHTS WHICH VARY FROM STATE TO STATE. SOME STATES DO NOT ALLOW LIMITATIONS OR EXCLUSIONS, SO THE ABOVE LIMITATIONS AND EXCLUSIONS MAY NOT APPLY TO YOU.

RETURN MATERIAL AUTHORIZATION PROCEDURE

In the unlikely event of unit failure, the following return procedure shall be adopted.

- All product returns require a Return Material Authorization number regardless of reason.
- The customer is required to contact the Quality Department at Dantherm Cooling, Inc. in Spartanburg, SC at +1-864-595-9800 to obtain an RMA number.
- The following information must be provided prior to a RMA number being issued:
 - Dantherm Cooling, Inc. part number(s) of product to be returned.
 - Dantherm Cooling, Inc. serial number(s) of product to be returned.
 - Number of units requested to be returned.
 - Reason for return.
 - Contact name, phone and fax number.
 - Date of product receipt.
 - Invoice number and purchase order number covering the unit(s).
- The customer is responsible for suitably packaging the unit(s) securely, ideally in the original packaging, marking all cartons with the RMA number and shipping them prepaid to the designated site specified by Dantherm Cooling, Inc.

IN NO EVENT SHALL DANTHERM COOLING, INC. ACCEPT ANY SHIPMENT WHICH DOES NOT COMPLY WITH THE ABOVE PROCEDURES.

REMOVE THE CONDENSATE HOSE AND ADAPTER FROM THE BOTTOM OF THE UNITS PRIOR TO DISMANTLING THE AIR CONDITIONER AND RESTING IT ON THE GROUND.

DECLARATION OF CONFORMITY

DECLARATION OF CONFORMITY

Dantherm Cooling Inc., Spartanburg, SC hereby declare that the units PrecisionAir 50/60Hz are in conformity with the following directives:

- UL 60335-1** Fifth Edition
- UL 60335-2-40**First Edition
- CAN/CSA-C22.2 No. 60335-1-11**First Edition
- CAN/CSA-C22.2 No. 60335-2-40**First Edition

Spartanburg, SC - September.20.2018

Recycling: The unit should be recycled according to national rules and procedures to protect the environment. Please consult your local authorities for further information.

A		F		S	
AC	1	Filter	5, 7	Schematic	17-18
Accessories	5			Sealing	11
Additional Filter	7	H		Self-test	15
Airflow	8	Heater Set-point	15	Spare Parts	21-22
Alarm	14-16	Hotspot Sensor	14		
C		I		T	
Cleaning	19	Inspection	20	Technical Data	9
Connections	13	Installation	10		
Control	12-17			U	
Controller	12			Unpacking	3
Cooling Set-point	15	M			
Crankcase Heater	5	Maintenance	19	W	
		Model Overview	5	Wall Cut Out	10
		Model Identification	4	Warranty	23
D		O			
Declaration of Conformity	25	Operation	12-16		
Digital Input	16	Operation Panel	12		
Drainage	6				
E		P			
Electrical Connections	13	Preventative Maintenance	19		
Electrical Requirements	11				
Electrical Schematics	17-18	R			
Error	15	Recycling	25		
Error List	15	RMA	24		