

PrecisionAir 10000

- Available in 230V AC/ 48V DC configurations
- Closed-loop cooling to prevent ingress of environmental contaminants
- Designed for electronics cooling with high ambient temperatures operates to 55°C/131 °F
- Easily accessible integrated Dantherm ACG7 controller
- High-quality, high-performance, high-pressure drop BCI fans
- Easy access to critical components for better service
- Bottom intake allows for reduced noise and better protection from contaminants
- CFC free R134A refrigerant
- Compact mono-block unit for easy installation
- 10,000 BTU capacity

GENERAL

UNITS

Model Number		PA-10-230	PA-10-48
Mounting method		Outdoor	
Unit dimensions [height×width×depth]	Inch [mm]	47.3x19.3x12.2 [1201x490x309]	
Weight	lbs [kg]	115 [52]	

PERFORMANCE

Cooling capacity at 131°F internal/ 131°F ambient [55°C/55°C]	BTU/h [W]	10700 [3133]	
Cooling capacity at 95°F internal/ 95°F ambient [35°C/35°C]	BTU/h [W]	10170 [2977]	
Internal airflow by air conditioning	CFM [m ³ /h]	210 to 450 [765]	
External airflow by air conditioning	CFM [m ³ /h]	400 to 710 [1205]	
Refrigerant type		R134a	
Operational temperature range	°F [°C]	-40 to 131 [-40 to 55]	
Noise, 1.5m distance	dB(A)	60 to 65	
Heater	Watts	2000	500

ELECTRICAL DATA

Input voltage	Volts	208/230 VAC	48 VDC, +20%/-15%
Frequency	Hz	50/60 Hz	—
Power consumption (Cooling)	Amps	11.0	29.0 [-54vdc]

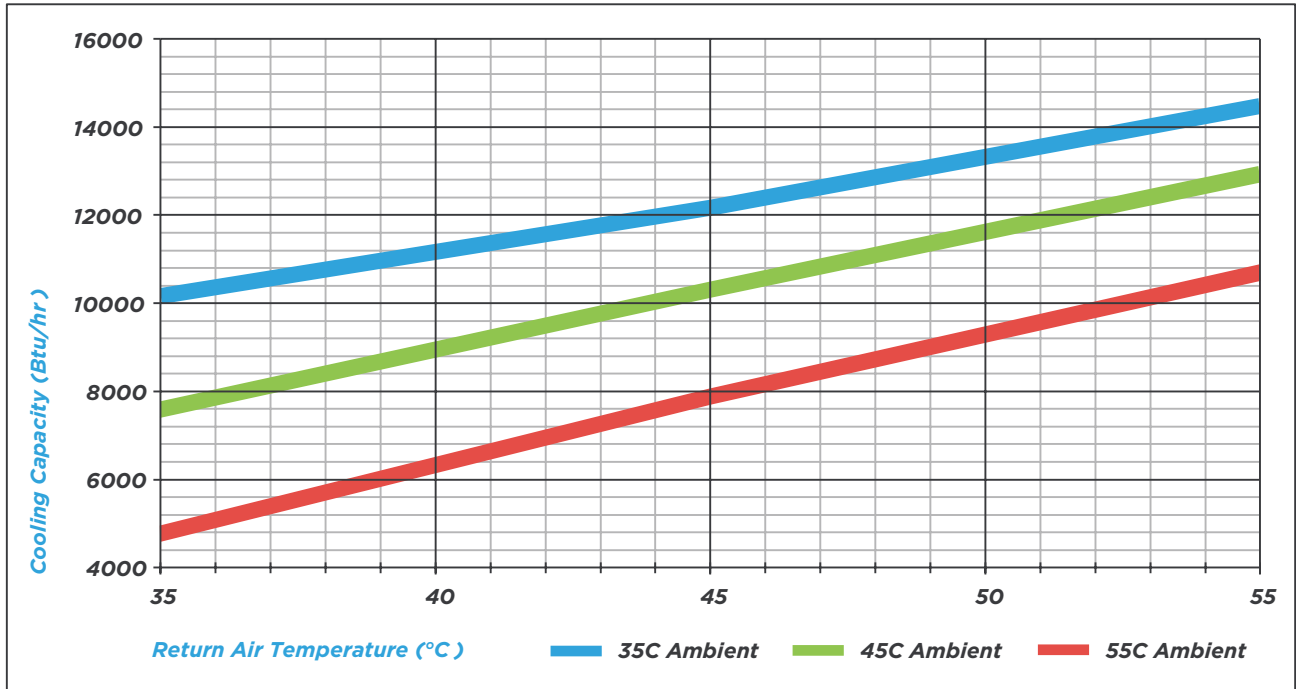
APPROVALS

RoHS, UL and cUL Compliant	✓	SA10718	
----------------------------	---	---------	--

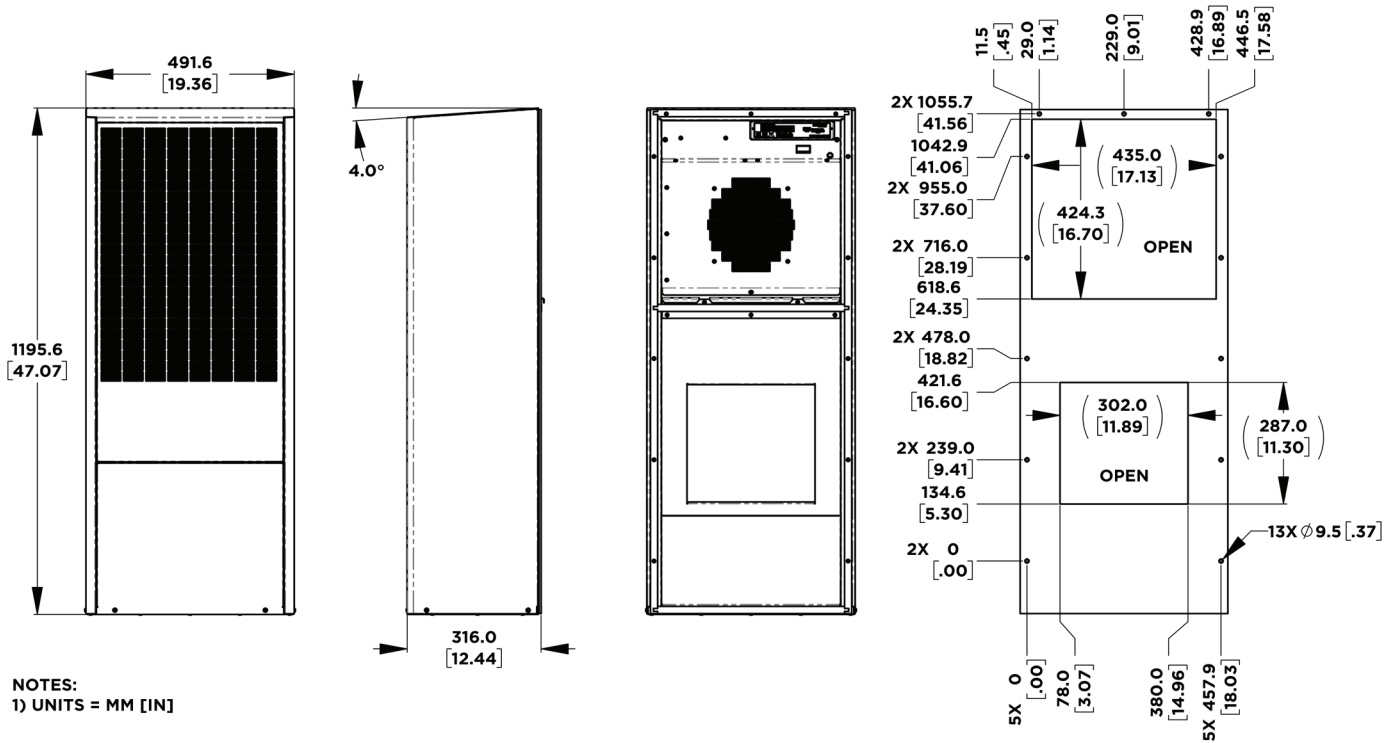
CONSTRUCTION

Material	Galvanized Steel, Stainless Steel Optional		
Finish	Textured Powder Coat Standard, Color options available by request		

AC 10000 COOLING CAPACITY CURVE



DIMENSIONAL DIAGRAM-MOUNTING INTERFACE



NOTES:
 1) UNITS = MM [IN]



danthermcooling.com
 sales.usa@danthermcooling.com
 864-595-9800
 671 Springfield Road
 Spartanburg SC, 29303