



PrecisionAir 48000

- Available in 208/230 and 480 VAC
- Closed-loop cooling to prevent ingress of environmental contaminants
- Designed for wall mounted cooling applications
- Easily accessible integrated Dantherm ACG7 controller with Ethernet accessibility
- High-quality, high-performance, high-pressure drop BCI fans
- Easy access to critical components for smarter service
- 48,000 BTU capacity

GENERAL

UNITS

		PA-48-230	PA-48-480
Model Number		PA-48-230	PA-48-480
Mounting method		Outdoor	
Unit dimensions [height×width×depth]	Inch [mm]	83.8x23.3x27.7 [2130x592x704]	
Weight	lbs [kg]	350 [160]	

PERFORMANCE

Cooling capacity at 80°F internal/ 95°F ambient [25°C/ 35°C] (Total)	BTU/h [W]	48,000 [14,063]	
Internal airflow @ .5 in H2O	CFM [m ³ /h]	1,800 [3060]	
External airflow	CFM [m ³ /h]	1,800 [3060]	
Refrigerant	Type	R410a	
Operational temperature range	°F [°C]	-40 to 131 [-40 to 55]	
Noise, 1.5m distance	dB(A)	68	
Heater	kWatts	10	

ELECTRICAL DATA

		208/230 VAC, 1Ø	480 VAC, 3Ø
Input voltage	Volts	208/230 VAC, 1Ø	480 VAC, 3Ø
Frequency	Hz	60	
Power consumption (Cooling)	Amps	22	7

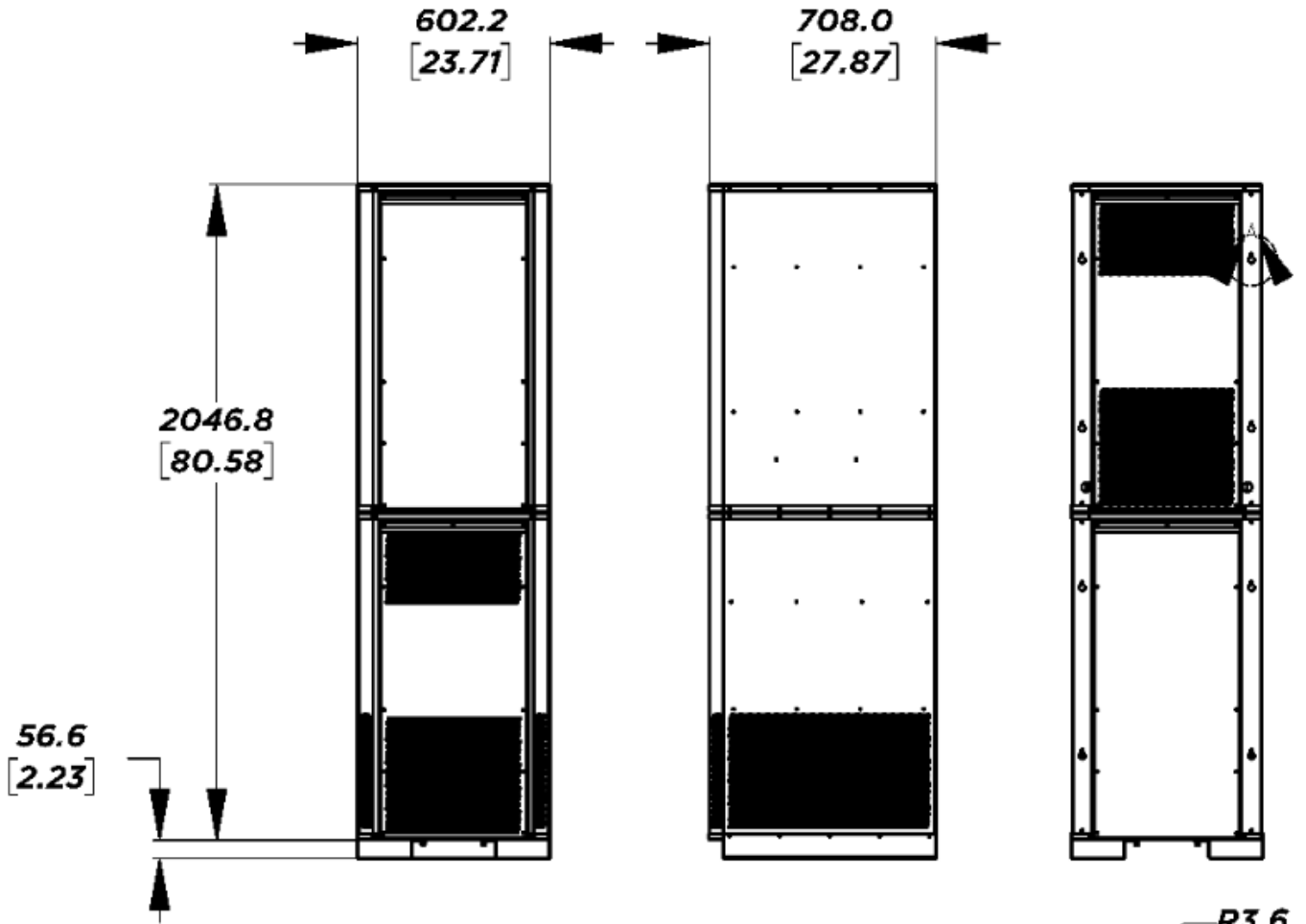
APPROVALS

RoHS, UL and cUL Compliant	✓	In Process
----------------------------	---	------------

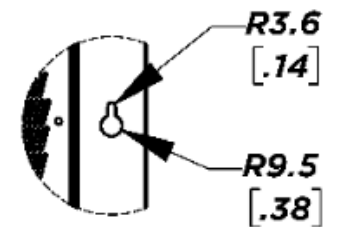
CONSTRUCTION

Material	Galvanized Steel, Stainless Steel Optional	
Finish	Textured Powder Coat Standard, Color options available by request	

DIMENSIONAL DIAGRAM-MOUNTING INTERFACE

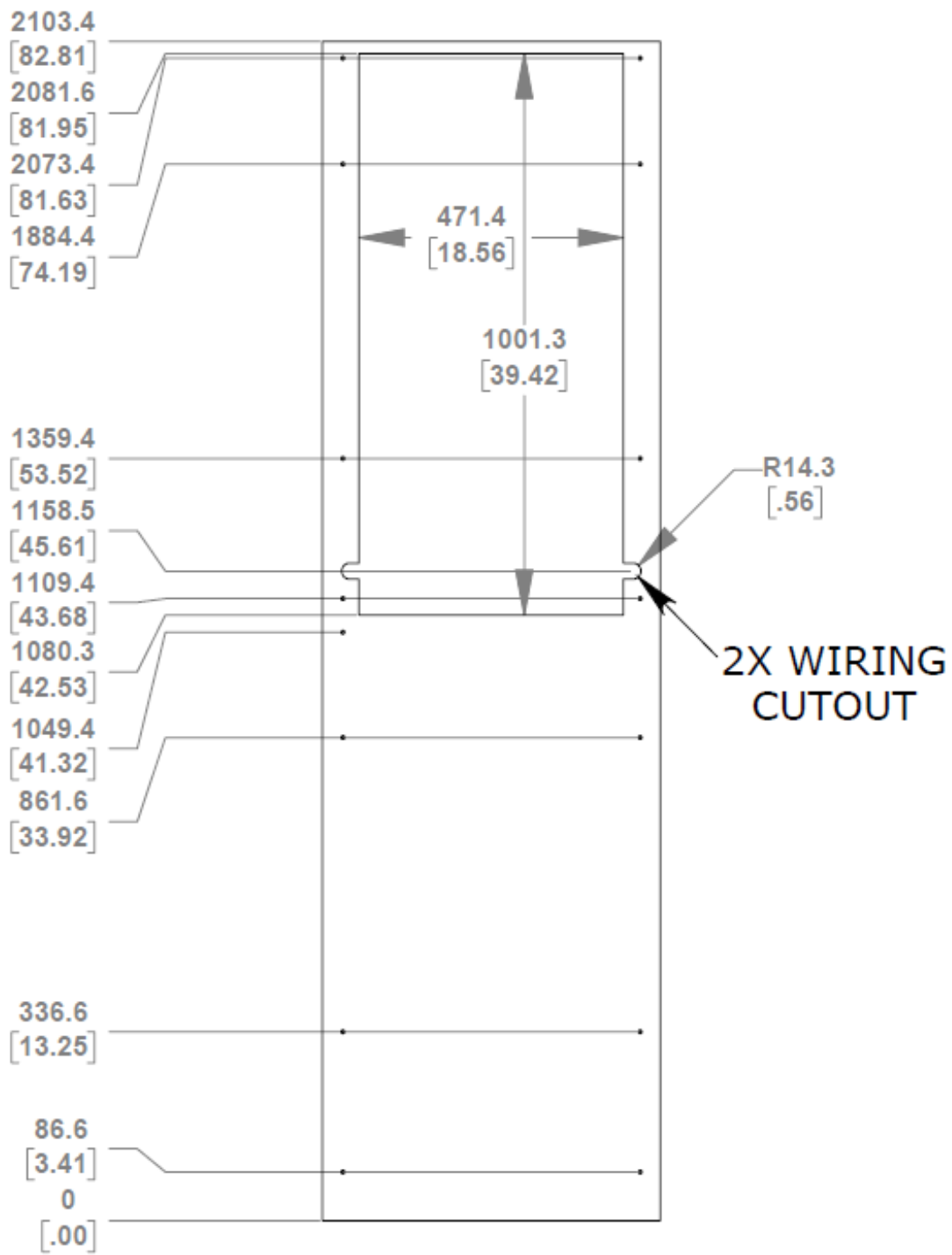


NOTES:
 1) UNITS = MM [IN]



DETAIL A
SCALE 1 : 6

DIMENSIONAL DIAGRAM-MOUNTING INTERFACE



 danthermcooling.com
 sales.usa@danthermcooling.com
 864-595-9800
 671 Springfield Road
Spartanburg SC, 29303