



## PrecisionAir 14000

- Available in -48 VDC
- Closed-loop cooling to prevent ingress of environmental contaminants
- Designed for electronics cooling with high ambient temperatures operates to 55°C/131 °F
- Easily accessible integrated Dantherm ACG7 controller with optional Ethernet Connectivity
- High-quality, high-performance, high-pressure drop BCI fans
- Easy access to critical components for better service
- Bottom intake allows for reduced noise and better protection from contaminants
- 14,000 BTU capacity

### GENERAL

### UNITS

Model Number		PA-14-48
Mounting method		Outdoor
Unit dimensions [height×width×depth]	Inch [mm]	47.3x19.3x12.2 [1201x490x309]
Weight	lbs [kg]	115 [52]

### PERFORMANCE

Cooling capacity at 131°F internal/ 131°F ambient [55°C/55°C]	BTU/h [W]	14000 [4100]
Cooling capacity at 95°F internal/ 95°F ambient [35°C/35°C]	BTU/h [W]	12100 [3545]
Internal airflow by air conditioning	CFM [m <sup>3</sup> /h]	210 to 450 [765]
External airflow by air conditioning	CFM [m <sup>3</sup> /h]	400 to 710 [1205]
Refrigerant type		R134a
Operational temperature range	°F [°C]	-40 to 131 [-40 to 55]
Noise, 1.5m distance	dB(A)	60 to 65
Heater	Watts	500

### ELECTRICAL DATA

Input voltage	Volts	48 VDC, +20%/-15%
Frequency	Hz	—
Power consumption (Cooling)	Amps	27.0 [-54vdc]

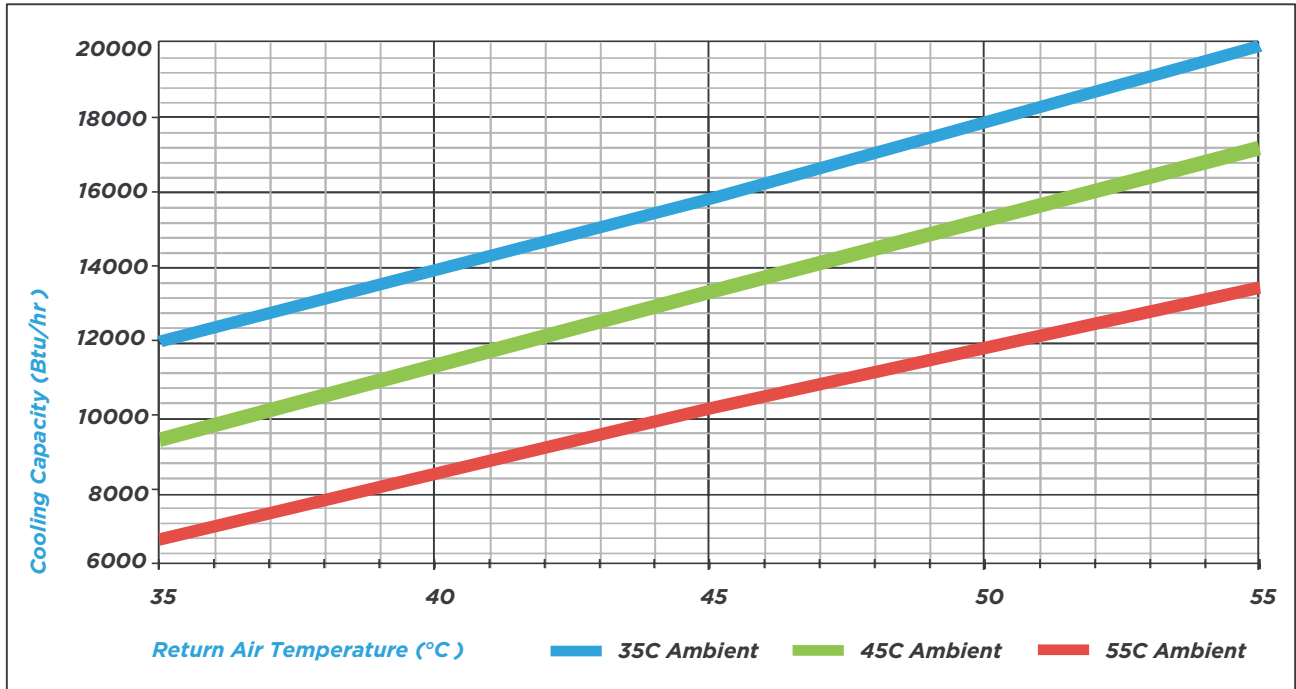
### APPROVALS

RoHS, UL and cUL Compliant	✓	Pending SA10718
----------------------------	---	-----------------

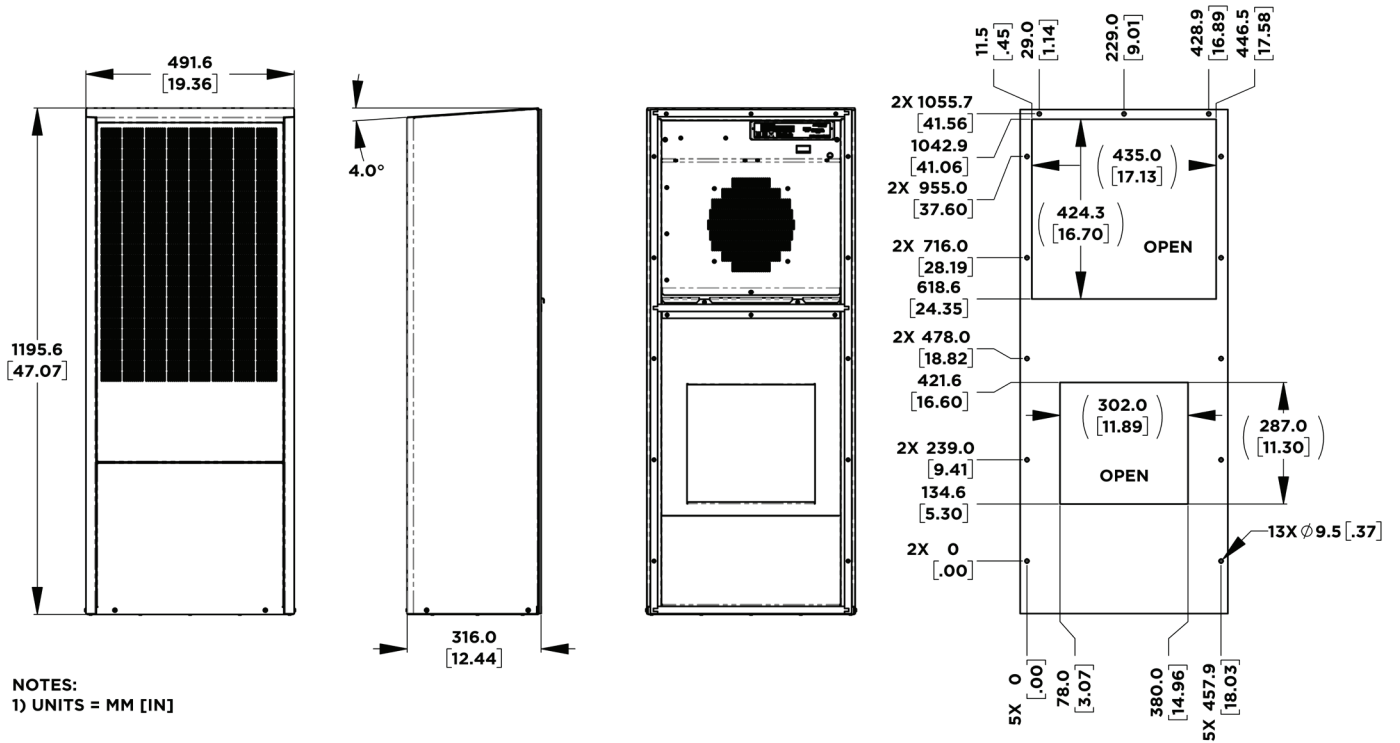
### CONSTRUCTION

Material	Galvanized Steel, Stainless Steel Optional	
Finish	Textured Powder Coat Standard, Color options available by request	

# AC 14000 COOLING CAPACITY CURVE



# DIMENSIONAL DIAGRAM-MOUNTING INTERFACE



NOTES:  
 1) UNITS = MM [IN]



 [danthermcooling.com](http://danthermcooling.com)  
 [sales.usa@danthermcooling.com](mailto:sales.usa@danthermcooling.com)  
 864-595-9800  
 671 Springfield Road  
 Spartanburg SC, 29303